



US009090443B1

(12) **United States Patent**
Malinski

(10) **Patent No.:** **US 9,090,443 B1**
(45) **Date of Patent:** **Jul. 28, 2015**

(54) **WINE STORAGE AND DISPENSING APPARATUS**

(71) Applicant: **Jon M. Malinski**, Paradise Valley, AZ (US)

(72) Inventor: **Jon M. Malinski**, Paradise Valley, AZ (US)

(73) Assignee: **Vinocopia, Inc.**, Richfield, MN (US)

(*) Notice: Subject to any disclaimer, the term of this patent is extended or adjusted under 35 U.S.C. 154(b) by 0 days.

3,239,104	A *	3/1966	Scholle	222/81
3,325,058	A	6/1967	West, Jr.	
3,696,969	A	10/1972	De Van et al.	
4,304,341	A	12/1981	Shirley	
4,673,125	A *	6/1987	Weaver	229/122.2
4,812,054	A	3/1989	Kirkendall	
5,042,682	A *	8/1991	Ritter et al.	229/117.3
6,334,329	B1	1/2002	Weller	
6,561,386	B1	5/2003	Martens	
6,827,237	B2 *	12/2004	Yorn et al.	222/105
7,434,705	B2	10/2008	Evangelista	
8,596,496	B2	12/2013	Malinski	
2004/0188463	A1 *	9/2004	Harris, Jr.	222/105
2008/0087682	A1	4/2008	Overgaard	
2009/0250489	A1	10/2009	Saunders et al.	
2012/0018450	A1 *	1/2012	Malinski	222/105

(21) Appl. No.: **14/208,522**

(22) Filed: **Mar. 13, 2014**

(51) **Int. Cl.**
B67D 3/00 (2006.01)

(52) **U.S. Cl.**
CPC **B67D 3/0067** (2013.01); **B67D 3/0087** (2013.01)

(58) **Field of Classification Search**
CPC B65D 77/06-77/068; B67D 2001/0827; B67D 3/00; B67D 3/0029; B67D 3/0067; B67D 3/0083; B67D 3/0087
USPC 222/105, 131, 183, 185.1, 325; 220/4.08, 4.09, 4.04, 4.05
See application file for complete search history.

(56) **References Cited**

U.S. PATENT DOCUMENTS

2,058,027	A	10/1936	Martinet	
2,116,622	A	5/1938	Eisenmenger	
3,112,047	A *	11/1963	Weinreich et al.	222/105
3,191,810	A *	6/1965	Johnston	222/183
3,198,390	A *	8/1965	Beckman et al.	222/105
3,221,943	A *	12/1965	Anderson	222/183

FOREIGN PATENT DOCUMENTS

JP 2007-091334 A 4/2007

* cited by examiner

Primary Examiner — Daniel R Shearer

Assistant Examiner — Nicholas J Weiss

(74) *Attorney, Agent, or Firm* — DuFault Law Firm, P.C.; Dustin R. DuFault

(57) **ABSTRACT**

An apparatus for dispensing pre-packaged wine comprises a housing configured substantially in the shape of a wine barrel. A shelf positioned within the barrel extends from a front face toward a removable back panel. A shelf support for supporting the shelf includes a semi-circular contour for engaging a lower portion of the circumferential wall. A wine insert, supportable by the shelf, is disposable within the housing with the back panel removed. The wine insert includes a floor having a declined portion allowing wine contained therein to be drawn by gravity towards the rear of the housing. A spigot and conduit fluidly connected to the wine insert are provided for selectively dispensing the wine.

4 Claims, 7 Drawing Sheets

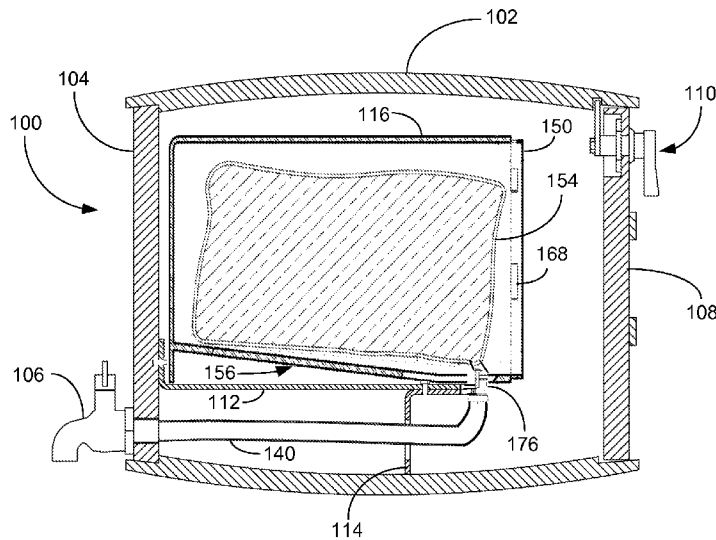


FIG. 1

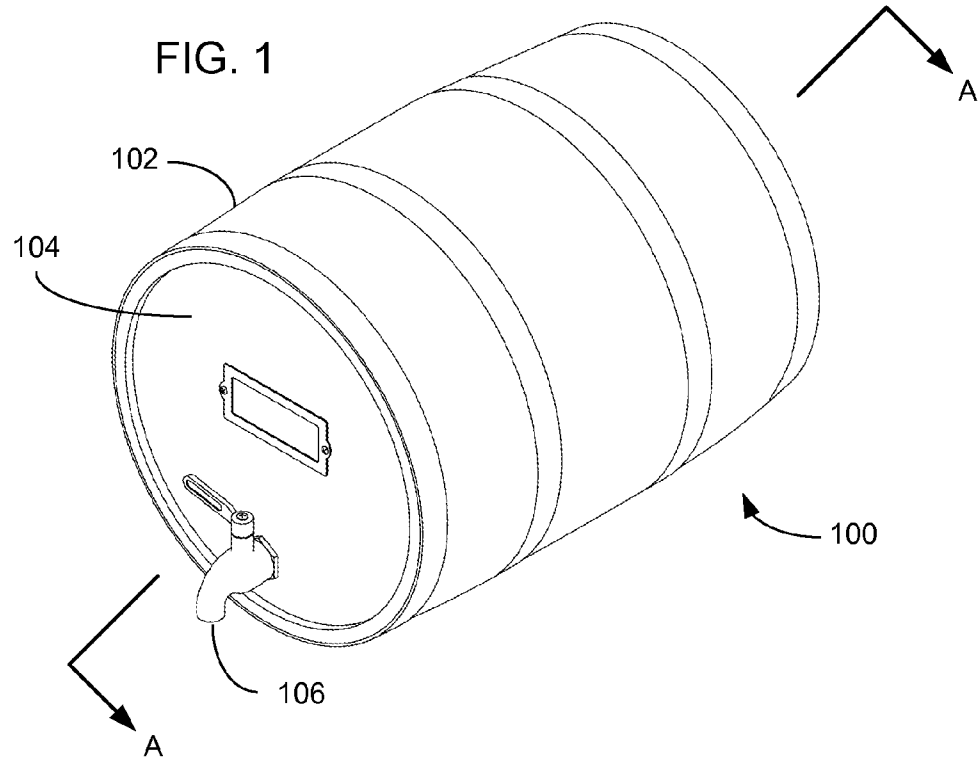
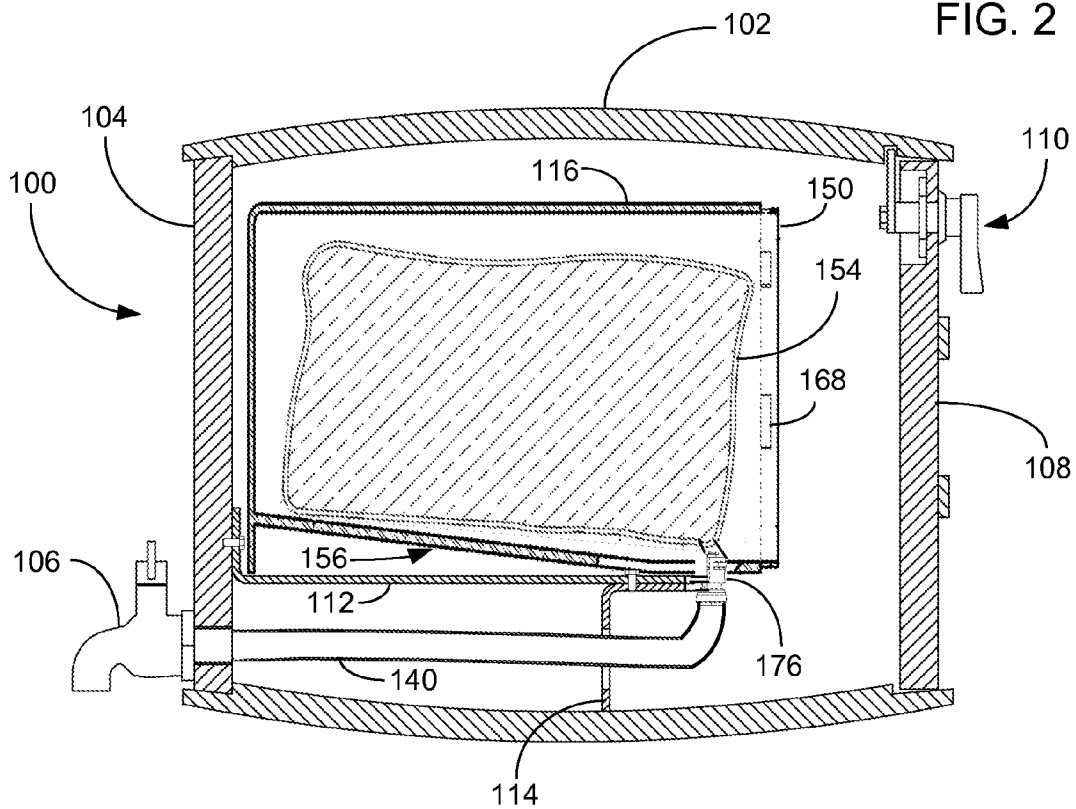
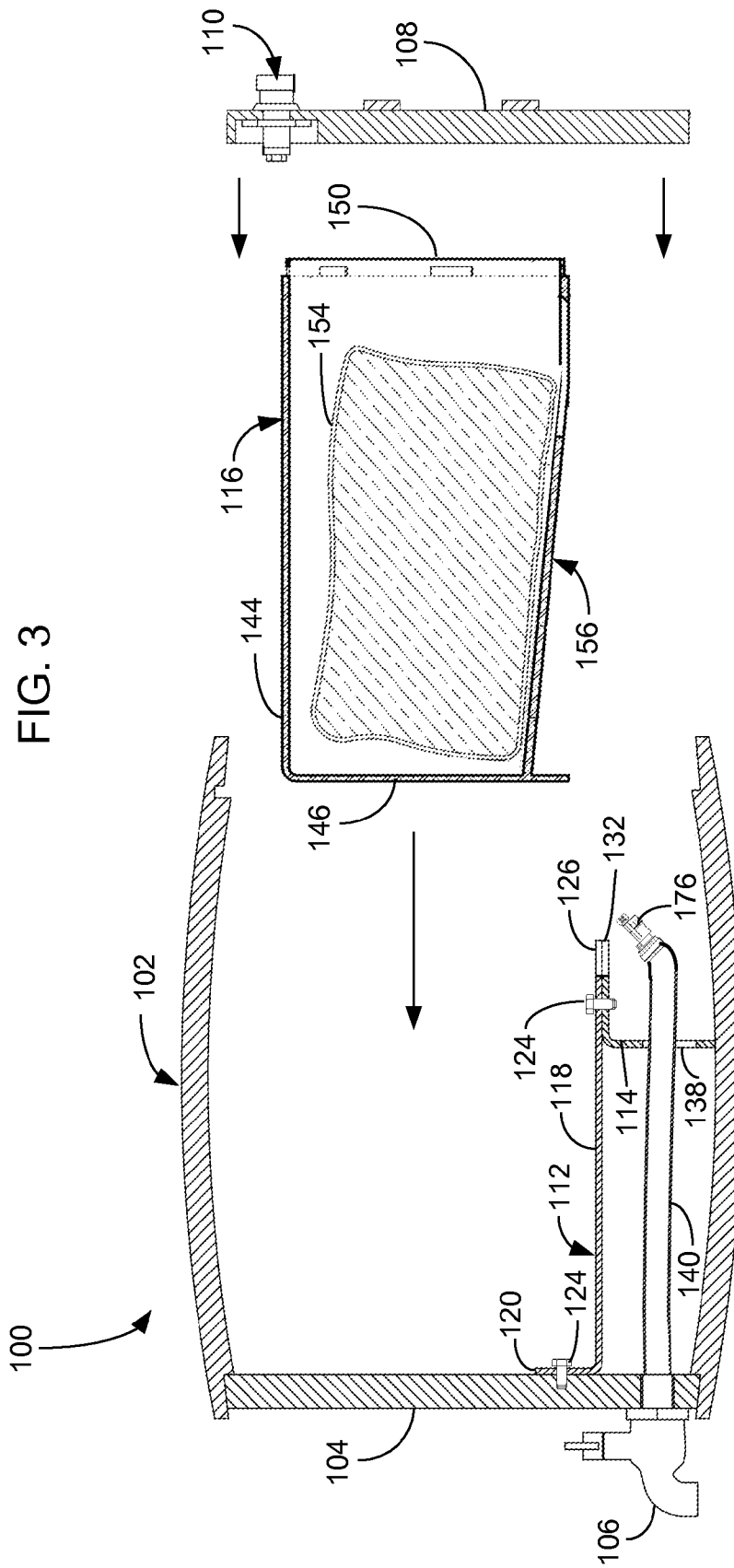


FIG. 2





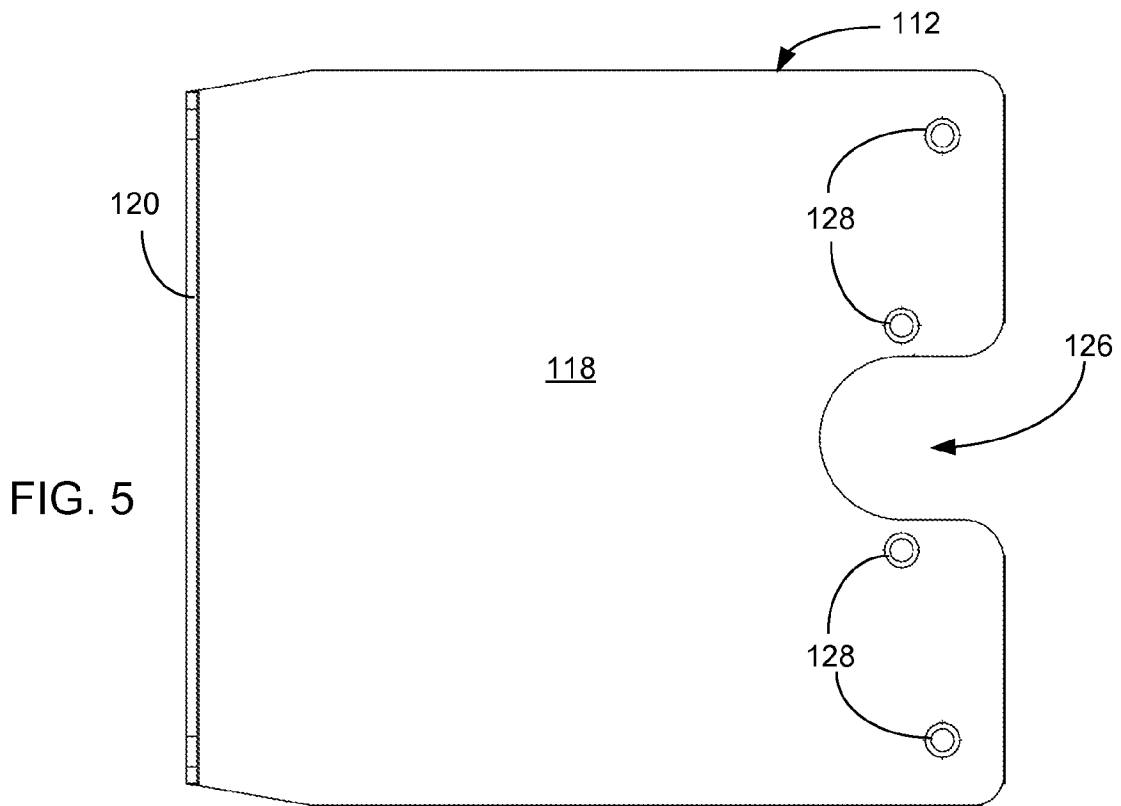
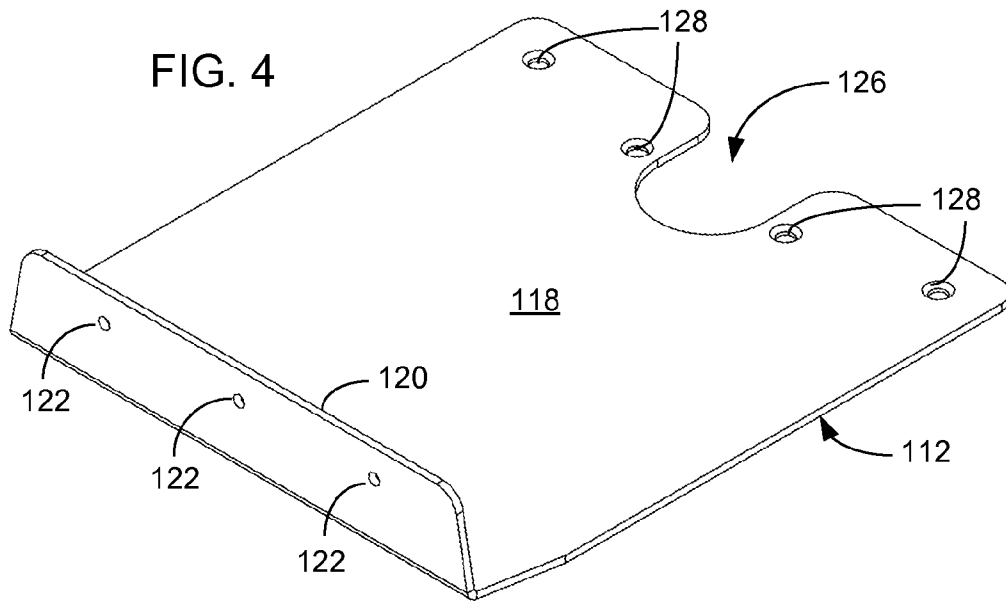


FIG. 6

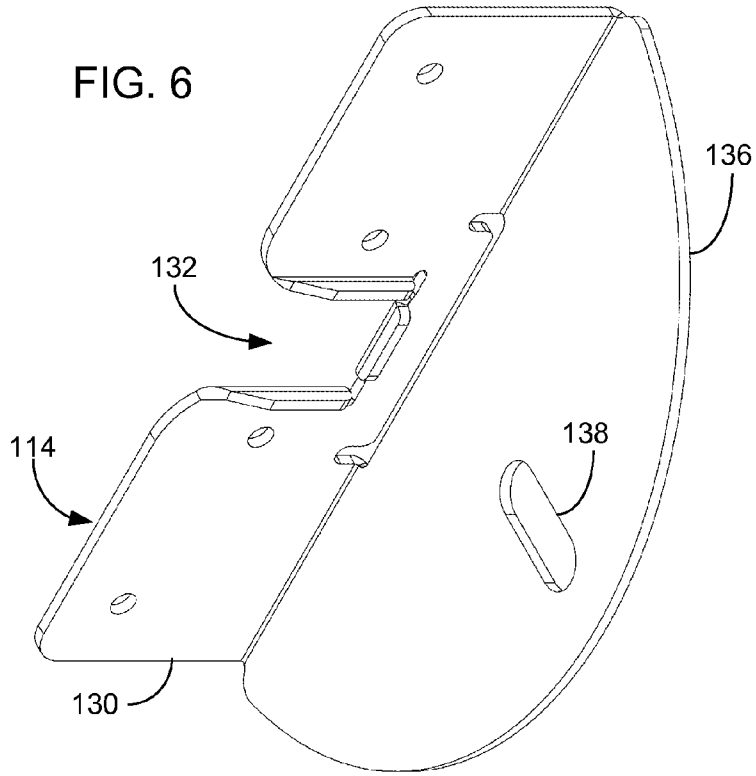
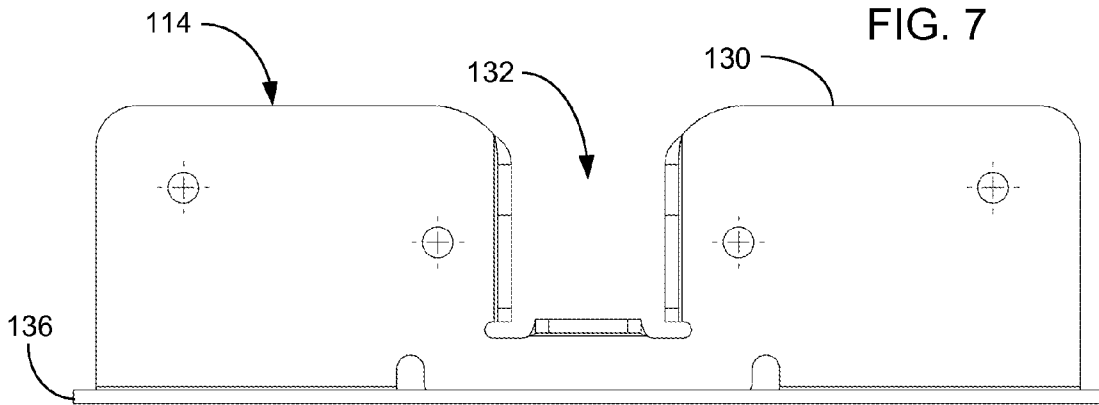
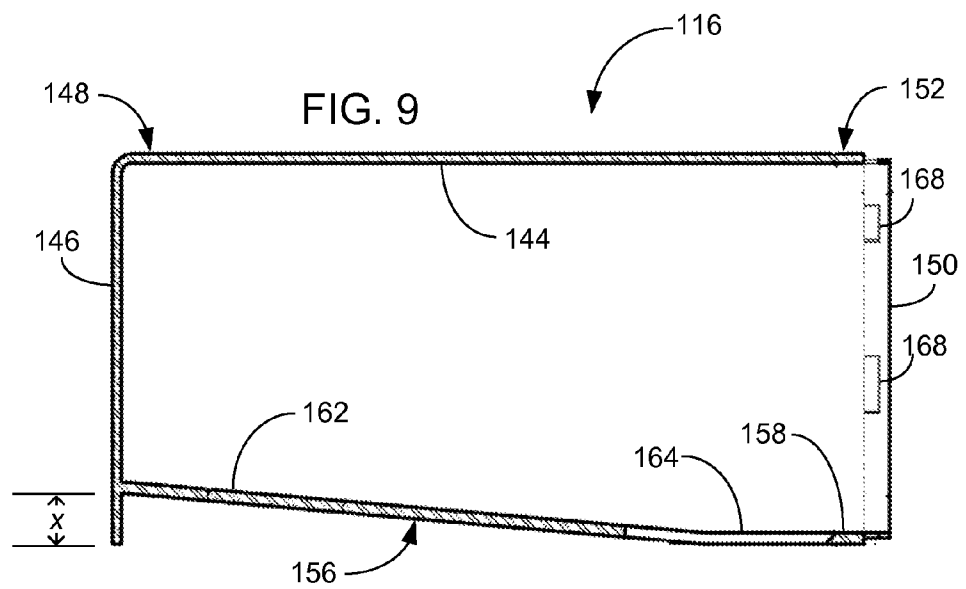
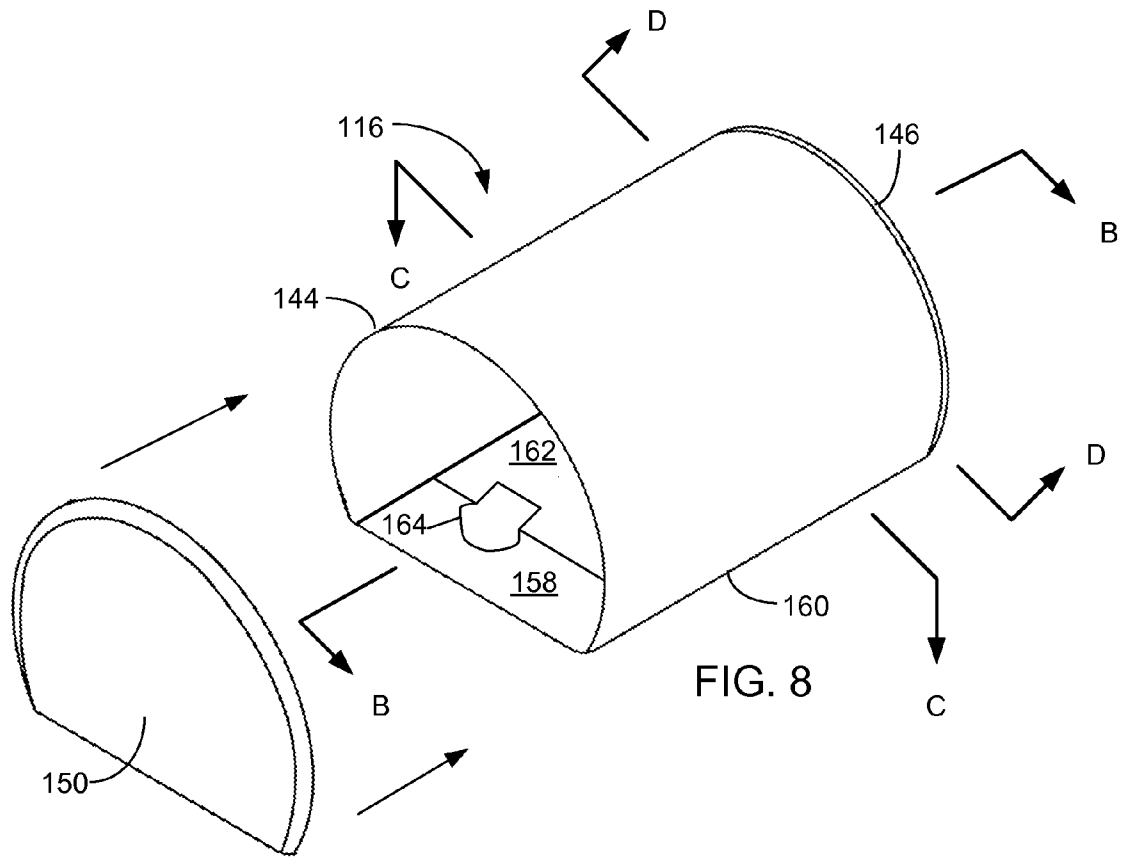


FIG. 7





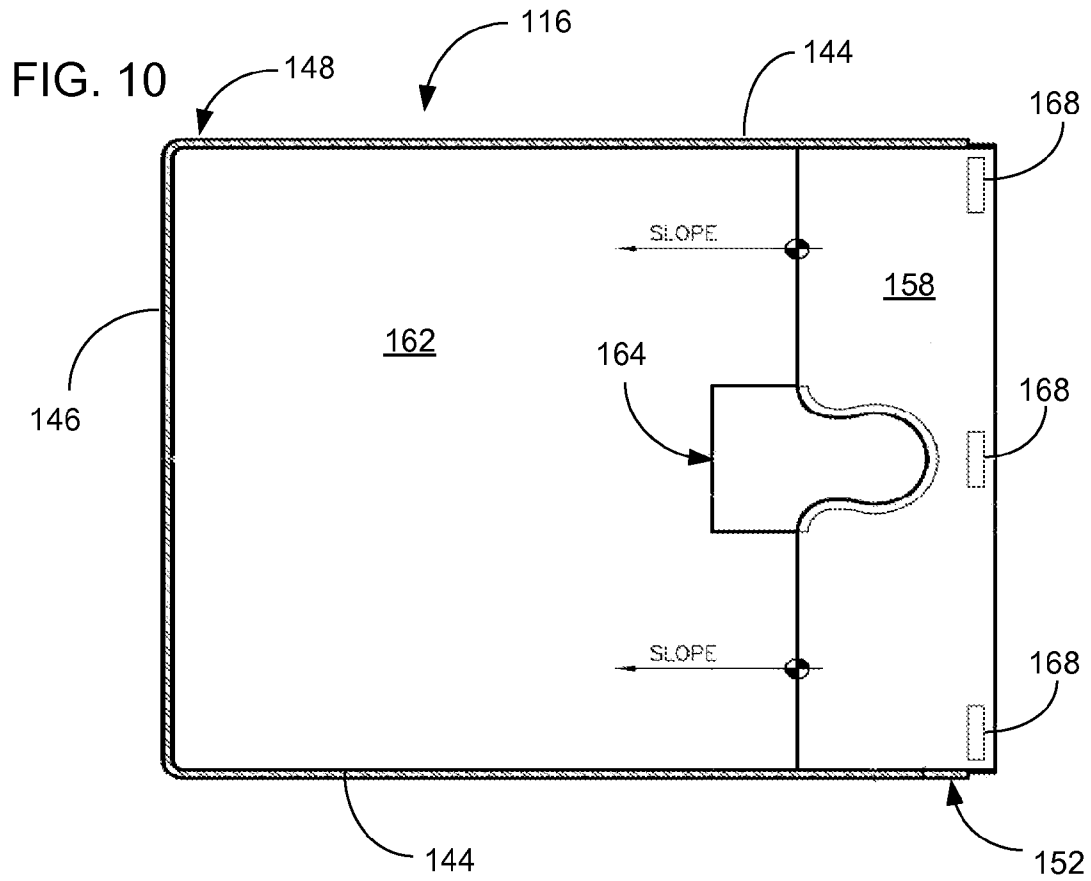
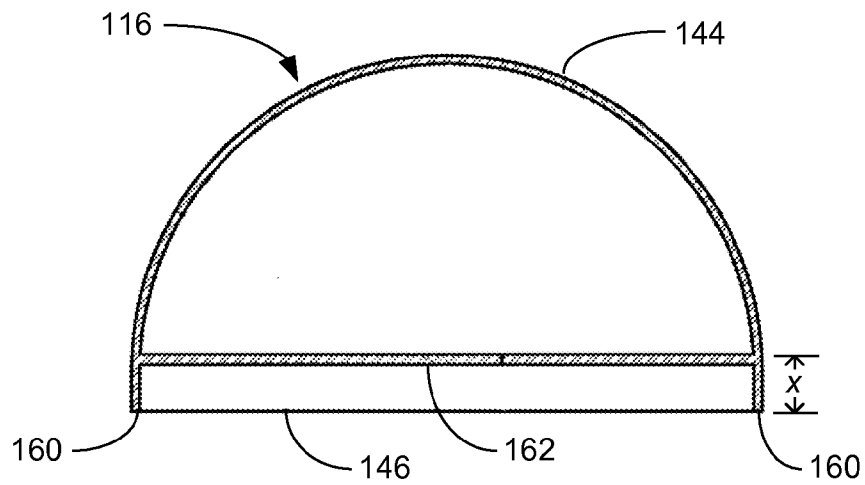
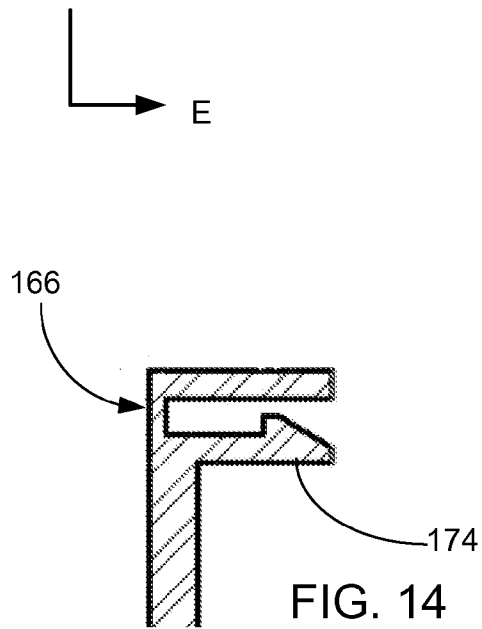
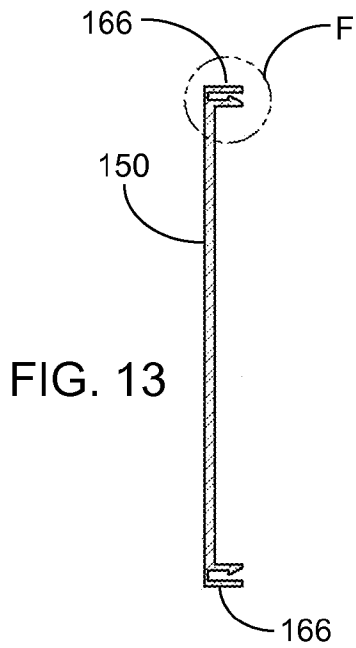
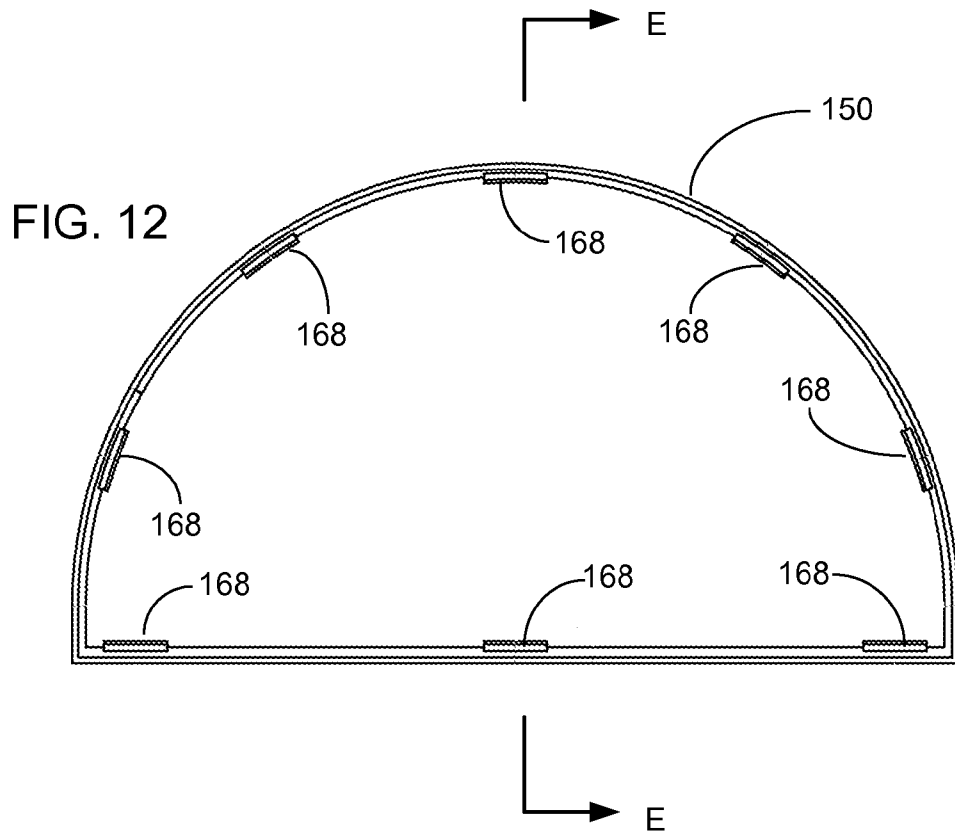


FIG. 11





1

**WINE STORAGE AND DISPENSING
APPARATUS****CROSS-REFERENCE TO RELATED
APPLICATION(S)**

None.

BACKGROUND OF THE INVENTION

The present invention generally relates to wine storage devices. More particularly, the present invention relates to an apparatus for storing and dispensing wine from collapsible, reusable containers.

For many years, wine has remained one of the most popular drinks to accompany a meal, and as such, is made available not only at home, but at a vast number of restaurants. It is therefore important for a restaurant to keep in stock ample quantities of wine to meet the demand of its customers. However, as wine has historically been stored within glass 750-mL bottles, not only are there increased shipping costs associated with the use of glass bottles, but stocking a restaurant with such wine requires certain space requirements. Alternatively, certain types of wine have been made available by means of portable fluid containers, for example flexible 3- to 10-liter bladders of wine contained within a cardboard box, sometimes referred to as "wine-in-a-box" or simply "box wine". While such containers cut down on shipping costs, there are still storage considerations to take into account, as well as other inherent setbacks. For instance, as the box itself must be placed within a refrigeration unit to keep the wine chilled, the refrigeration space required for the box must be considered. Further, and regardless if a bottle or portable fluid bladder is used, once opened, the shelf-life of the wine decreases rapidly due to oxidation. While bottles of wine typically have to be consumed within a day or so, "wine-in-a-box" products currently available typically last only about a week. More importantly, though, as wine is considered by many to be a premium product, "wine-in-a-box" does not do well from a marketing standpoint as it has been perceived by the purchasing public to be an inferior product or inferior means of storage as opposed to glass bottles. For this reason alone, many vintners have avoided providing wines in this fashion, preferring instead to stick with glass bottles.

There exist in the art several examples of devices that have attempted to provide a means for storing box wine in an aesthetically pleasing manner. However, limitations exist in such examples as conventional devices have been shown to be quite difficult to change between spent wine bladders and new ones. Recent improvements in the art have made it less difficult to change spent wine bladders. For example, commonly owned U.S. Pat. No. 8,596,496 describes a rear-loading wine storage and dispensing device that overcame some of these problems. However, other complications have since risen including ease of installing a support floor for the insert. Another complication that has been known for quite some time is the difficulty in extracting all the wine from these types of inserts without having to physically manipulate the insert or device.

Currently, there exists a need in the art to provide an aesthetically pleasing wine dispensing mechanism for use in conjunction with reusable wine inserts which provides a stable support floor for the inserts and which is not difficult to construct. There also exists a need in the art to provide a wine

2

insert that is capable of dispensing the entirety of its contents without the aid of physical manipulation.

BRIEF SUMMARY OF INVENTION

5

The present invention includes an apparatus for dispensing pre-packaged wine contained within an insert. The apparatus comprises a housing configured substantially in the shape of a wine barrel. The housing includes a circumferential wall, a front face fixedly connected to a first end the wall and a removable back panel attachable to an opposing second end of the wall. A shelf disposed within the housing extends from the front face toward the removable back panel. A shelf support having a semi-circular contour for engaging a lower portion of the circumferential wall is included for supporting the shelf.

The apparatus of the present invention further comprises a removable wine insert. The wine insert includes a semi-circumferential wall having a first end, a second end and opposing longitudinal edges. A semi-circular end wall affixes to the first end of the semi-circumferential wall. A semi-circular cap is securable to the second end of the semi-circumferential wall. A floor is disposed between the first end and the second end of the semi-circumferential wall. The floor includes a first portion extending from the second end along each longitudinal edge of the semi-circumferential wall and a second portion disposed between the first portion and the semi-circular end wall. The second portion positioned at an upward angle from the first portion wherein at a juncture between the second portion and the end wall the second portion is positioned apart from each longitudinal edge of the semi-circumferential wall.

A spigot for selectively dispensing wine is supported by and is positioned through the front face of the housing below the shelf. A conduit disposed within the housing below the shelf and through an aperture contained with the shelf support fluidly connects the spigot to the wine insert. The wine insert, disposable within the housing through the second end of the wall with the back panel removed, is supported by the shelf such that the wine contained within the insert is drawn by gravity down the second portion of the floor to the first portion of the floor to the fluidly connected conduit.

BRIEF DESCRIPTION OF THE DRAWINGS

The following figures are used herein in conjunction with the specification to assist in understanding the invention. The Figures are as follows:

FIG. 1 is perspective view of a wine storage and dispensing apparatus in accordance with the present invention.

FIG. 2 is a cross-sectional view of the wine storage and dispensing apparatus of the present invention as taken along lines A-A in FIG. 1.

FIG. 3 is an exploded cross-sectional view of the wine storage and dispensing apparatus of the present invention.

FIG. 4 is a perspective view of a shelf of the wine storage and dispensing apparatus in accordance with the present invention.

FIG. 5 is a top view of the shelf of the wine storage and dispensing apparatus in accordance with the present invention.

FIG. 6 is a perspective view of a shelf support of the wine storage and dispensing apparatus in accordance with the present invention.

FIG. 7 is a side view of the shelf support of the wine storage and dispensing apparatus in accordance with the present invention.

3

FIG. 8 is an exploded perspective view of a wine insert in accordance with the wine storage and dispensing apparatus of the present invention.

FIG. 9 is a cross-sectional view of the wine insert of the present invention as taken along lines B-B in FIG. 8.

FIG. 10 is a cross-sectional view of the wine insert of the present invention as taken along lines C-C in FIG. 8.

FIG. 11 is a cross-sectional view of the wine insert of the present invention as taken along lines D-D in FIG. 8.

FIG. 12 is a side-view of a cover of the wine insert in accordance with the wine storage and dispensing apparatus of the present invention.

FIG. 13 is a cross-sectional view of the cover of the wine insert as taken along lines E-E in FIG. 12.

FIG. 14 is an enlarged cross-sectional view of the cover of the wine insert as taken from portal F in FIG. 13.

DESCRIPTION OF THE INVENTION

A wine storage and dispensing apparatus in accordance with the present invention is generally indicated at **100** in FIG. 1. The apparatus **100** includes a housing structure **102**, preferably an aesthetically shaped miniature wooden wine barrel, for placement on or near a bar in areas where wine would normally be dispensed. However, it should be noted that alternative shapes for the housing structure **102** are well within the scope of the present invention, including non-exhaustive examples of semi-circular barrels with flat bottoms, rectangular boxes or the like. The wine barrel **102** includes a front face **104** which supports a spout or spigot **106** for selectively dispensing wine. As illustrated in FIGS. 2 and 3, a removable back panel **108** attaches to the wine barrel **102** by means of a latching mechanism **110**. The specific latching mechanism **110** employed is not critical in practicing the invention, and those skilled in the art will recognize that other mechanisms than those illustrated will suffice.

The apparatus **100** of the present invention further includes a shelf **112** and shelf support **114** for supporting a removable wine insert **116** positionable within the housing **102**. Referring to FIGS. 4 and 5, the shelf **112** is fashioned from a durable material, preferably metal, but other durable materials are well within the scope of the present invention including, but not limited to, wood, plastic or other synthetic material. The shelf **112** includes a flat major surface **118** having a flange **120** extending therefrom on a first end. The flange **120** is abutable against the front face **104** of the barrel **102** and contains one or more apertures **122** for securing the shelf **112** to the front face **104** by means of a fastener **124**, including for example a bolt, screw or similar fastener, as is known in the art. An opposing second end of the major surface **118** contains a slot **126** to facilitate connection of the wine delivery system to the wine insert **116**. The opposing end of the major surface **118** also contains one or more apertures **128** for connection to the shelf support **114**.

Referring to FIGS. 6 and 7, the shelf support **114** includes a generally "L"-shaped configuration with a first leg **130** mateable with an underside of the major surface **118** of the shelf **112**. The first leg **130** includes a corresponding slot **132** to facilitate connection of the wine delivery system to the wine insert **116**. The first leg **130** also includes corresponding apertures **134** for connecting shelf support **114** to the second end of the shelf **112**, which can be accomplished by means of fasteners **134**, including for example bolts, screws or similar fasteners, as is known in the art. A second leg **136** of the shelf support **114** includes a generally semi-circular configuration for cooperably engaging the lower inner surface of circumferential wall of the barrel housing **102**. In this fashion, the

4

second end of the shelf **112** rests upon and is supported by the shelf support **114** which carries the brunt of the mass of the wine insert **116**. While not absolutely necessary to the practice of the present invention, it is well within the scope of the present invention to provide additional fasteners to secure the shelf to the inner circumferential wall of the housing. A slotted aperture **138** contained within the second leg **136** permits a conduit **140** of the delivery system to be disposable therethrough.

The removable wine insert **116** is constructed from a hard durable material, preferably plastic, and includes a protruded semi-circular concave wall **144** with a semi-circular end-wall **146** secured to a first end **148**. A removable cap **150** is securable to a second end **152** of semi-circular concave wall **144**. The wine insert **116** houses a collapsible bladder **154**, as illustrated in FIGS. 2 and 3, which is fillable with liquid, which in this case preferably includes wine. In order to facilitate gravitational draining of the contents of the bladder **154** during use, the wine insert **116** includes a sloping floor **156** disposed between opposing sides of the concave wall **144**. As best illustrated in FIGS. 9 through 11, the floor **156** includes a first portion **158** positioned proximate the second end **152** disposed substantially flat along each longitudinal edge **160** of the wall. A second portion **162** of the floor extends at an inclined angle from the first portion **158** along inner surfaces of opposing sides of the semi-circular wall **144**. The second portion **162** of the floor **156** extends to and engages the end wall **146**. The second portion **162** thus connects to the end wall **146** a distance *x* above the plane of the first portion **158**. This slope allows wine contained with the bladder to be drawn by gravity to an exit portal **164** contained within both the first and second portions of the floor **156**.

Referring now to FIGS. 12 through 14, the removable cap member **150** is provided to enclose the wine insert **116**. The cap member **150** is also constructed from a hard durable material, preferably plastic, and is attachably removable to the second end **152** of the circumferential wall **144** as well as to the first portion **158** of the floor **156**. For attaching the cap member **150**, attaching portions **166** are provided which are insertable into corresponding receiving ports **168** contained within the circumferential wall **144** and the first portion **158** of the floor **156**. Each port **168** is receivable by respective attaching portions **166**. Each attaching portion **166** includes a resilient tab **172** which allows the respective insertion member **170** to pass thereover and then lock in place. The resiliency of the tab **172** is such that the cap member **150** remains secured to the wine insert during normal use, but can be pried and removed when replacing the bladder **154**.

As is known in the art, the bladder **154** may be constructed of a flexible material such that it may collapse upon itself when the contents therein are drained. Such materials can include metallic sheeting or plastic formed to provide a hermetically sealed interior. To fill the bladder, all air is first evacuated after which the wine is introduced therein. Upon being filled, the bladder is injected with an overpressure of an inert gas, such as Argon, to prevent oxygenation of the wine and thereby extend shelf life. Further, by filling the bladder with an inert gas, it has been discovered that the wine can remain unspoiled after opening for a much longer time than is observed within conventional wine-in-a-box methods. Instead of less than two weeks, which is typical for a conventional device, the wine dispensing apparatus of the present invention can prevent oxygenation and spoiling of the wine after opening for up to eight weeks.

It is intended that either the vintner or the wine wholesaler fills the bladders with wine, along with the overpressure of inert gas prior to sealing the bladder within the insert. The

5

insert thereby provides a protecting structure to prevent the bladder from being punctured during transit or use. The vintner or wholesaler then ships the insert, or a plurality of inserts, directly to the restaurant when they can be stored until needed for dispensing.

To transfer the wine contained within the bladder positioned within the insert, a liquid transfer mechanism is provided. Referring back to FIGS. 1 through 3, the liquid transfer mechanism includes the spigot 106 in fluid communication with the conduit 140, which in turn fluidly connects to a quick connector 176. The conduit may consist of a flexible hose, or may be a telescoping conduit similar to that as fully described in U.S. Pat. No. 8,596,496, the entirety of which is incorporated herein by reference.

The quick connect is preferably a VITOP® BAG-IN-BOX® quick connect as made available by the Smurfit Kappa Group of Epervy, France. As is known in the art, the quick connect includes a male and female connector and any variety of connectors are well within the scope of the present invention.

The apparatus 100 further includes an optional thermoelectric heat pump and insulation (neither shown) for cooling wine contained within the barrel 102. The thermoelectric heat pump and insulation are fully disclosed in commonly owned U.S. Pat. No. 8,596,496.

In operation, the apparatus 100 containing an insert with wine contained therein is positioned within a restaurant, home or other suitable place where it is convenient to dispense the wine into individual glasses when so desired. Upon depleting the contents of the bladder, whereby the wine insert 116 needs to be replenished, the back cover 108 of the housing 102 is removed. The user disconnects and pulls the insert 116 from the housing 102. A new insert containing a full bladder of wine is then disposed within the barrel 102. The connector 176 is attached to the insert 116 and the back cover 108 is replaced. The apparatus 100 is then ready again to dispense the wine through the spigot 106, and the wine within the insert is storable for up to 8 weeks.

Although the present invention has been described with reference to preferred embodiments, workers skilled in the art will recognize that changes may be made in form and detail without departing from the spirit and scope of the invention.

The invention claimed is:

1. An apparatus for storing and dispensing pre-packaged wine, the apparatus comprising:

a housing configured substantially in the shape of a wine barrel, the housing including a circumferential wall, a front face fixedly connected to a first end of the circumferential wall, and a removable back panel attachable to an opposing second end of the circumferential wall;

a shelf disposed within the housing for supporting a wine insert, the shelf having a proximal portion extending substantially perpendicular from the front face and a distal portion terminating proximate to the removable back panel;

a shelf support including a first portion having a semi-circular contour for engaging the circumferential wall and a second portion positioned perpendicular to the first portion, the second portion attachable to the distal portion of the shelf;

a spigot for selectively dispensing wine, the spigot supported by and positioned through the front face of the housing below the shelf; and

a conduit positioned within the housing below the shelf, the conduit connected to the spigot and extending through an aperture contained within the first portion of the shelf support, wherein the wine insert containing the pre-

6

packaged wine is disposable within the housing through the second end of the wall with the back panel removed, the insert supported by the shelf.

2. The apparatus of claim 1 wherein the wine insert comprises:

a concave wall;

a floor having a first portion extending along peripheral surfaces of the concave wall and a second portion extending along inner surfaces of the concave wall, the second portion extending from the first portion at an angle, the first and second portions containing surfaces defining a port;

a semi-circular end-wall connected to a distal end of the concave wall and the second portion of the floor;

a removable cap securable to a proximal end of the concave wall and the first portion of the floor, wherein wine contained within a collapsible bladder contained within the wine insert is drawn by gravity down the second portion of the floor to the first portion of the floor.

3. The apparatus of claim 2 wherein the floor causes the wine contained within the insert to be urged toward the back panel of the housing.

4. An apparatus for dispensing pre-packaged wine, the wine containable within an insert, the apparatus comprising:

a housing configured substantially in the shape of a wine barrel, the housing including:

a circumferential wall;

a front face fixedly connected to a first end of the wall; and

a removable back panel attachable to an opposing second end of the wall;

a shelf extending from the front face toward the removable back panel;

a shelf support for supporting the shelf, the shelf support including a semi-circular contour for engaging a lower portion of the circumferential wall;

a spigot for selectively dispensing wine, the spigot supported by and positioned through the front face of the housing below the shelf;

a conduit positioned within the housing below the shelf, the conduit connected to the spigot and disposable through an aperture contained within the shelf support; and

a removable wine insert, the wine insert including:

a semi-circumferential wall having a first end, a second end and opposing longitudinal edges;

a semi-circular end wall affixed to the first end of the semi-circumferential wall;

a semi-circular cap securable to the second end of the semi-circumferential wall;

a floor disposed between the first end and the second end of the semi-circumferential wall, the floor including: a first portion extending from the second end along each longitudinal edge of the semi-circumferential wall; and

a second portion disposed between the first portion and the semi-circular end wall, the second portion positioned at an upward angle from the first portion wherein at a juncture between the second portion and the end wall the second portion is positioned apart from each longitudinal edge of the semi-circumferential wall;

wherein the wine insert is disposable within the housing through the second end of the wall with the back panel removed, the wine insert supportable by the shelf, wherein the conduit is fluidly connectable to the wine insert proximate the second end of the wall, wherein wine contained within a collapsible bladder positioned

7

within the wine insert is drawn by gravity down the second portion of the floor toward the first portion of the floor to the fluidly connected conduit.

* * * * *

8