



US00D753767S

(12) **United States Design Patent**
Blette

(10) **Patent No.:** **US D753,767 S**

(45) **Date of Patent:** **** Apr. 12, 2016**

- (54) **INK CUP ARRAY**
- (71) Applicant: **Russell E. Blette**, Hastings, MN (US)
- (72) Inventor: **Russell E. Blette**, Hastings, MN (US)
- (**) Term: **14 Years**
- (21) Appl. No.: **29/519,155**
- (22) Filed: **Mar. 3, 2015**
- (51) **LOC (10) Cl.** **19-06**
- (52) **U.S. Cl.** **D19/104**
- (58) **Field of Classification Search**
USPC D3/203.3, 313; D6/682.2, 512; D7/701, D7/707, 708; D9/757, 758; D19/102, 103, D19/104, 105, 106, 107, 75, 86, 90, 91, 92; D24/230
CPC .. B65D 21/0201; B65D 21/0204; B44D 3/12; B44D 3/122; B44D 3/02
See application file for complete search history.

4,542,930	A *	9/1985	Adams	B65F 1/1463
				206/427
D325,975	S *	5/1992	Grade	D19/83
5,366,893	A *	11/1994	Stevens	B01L 3/50851
				422/536
5,722,553	A	3/1998	Hovatter	
6,019,225	A *	2/2000	Kalmakis	B01L 9/543
				206/443
6,325,206	B1	12/2001	Stonex	
6,601,725	B2	8/2003	Lafond et al.	
D588,880	S *	3/2009	Chou	D7/701
D596,758	S *	7/2009	Constable	D24/230
7,607,541	B2	10/2009	Girgis et al.	
7,658,296	B2	2/2010	Van Handel et al.	
7,870,951	B1	1/2011	Orsi	
D632,651	S *	2/2011	Foreman	D13/119
D637,733	S *	5/2011	Wei	D24/226
D653,856	S *	2/2012	Lowe	D3/313
D661,902	S *	6/2012	Italiano	D3/313

(Continued)

Primary Examiner — Elizabeth Albert

(74) *Attorney, Agent, or Firm* — DuFault Law Firm, P.C.;
Dustin R. DuFault

(56) **References Cited**

U.S. PATENT DOCUMENTS

1,391,028	A	9/1921	Werntz	
2,090,083	A	8/1937	Wallace	
2,402,850	A	6/1946	Sillman et al.	
2,633,656	A	9/1950	Di Gemma	
2,711,605	A	6/1955	Dripps	
2,718,722	A	9/1955	Barg	
2,741,048	A	4/1956	Shelton	
2,949,203	A	8/1960	Berg	
2,992,501	A *	7/1961	Douglas	B44D 3/14
				211/73
3,023,884	A	3/1962	Schwartz	
D207,684	S *	5/1967	Welch	D19/75
3,388,807	A *	6/1968	Emmitt	B01L 9/06
				206/443
3,620,362	A	11/1971	Valdes	
3,732,972	A	5/1973	Israel	
3,804,030	A	4/1974	Israel	
3,856,136	A	12/1974	Governale	
4,046,250	A	9/1977	Amezcuca	
D272,699	S *	2/1984	Godfrey	211/74
4,495,289	A *	1/1985	Lyman	C12M 23/38
				422/504

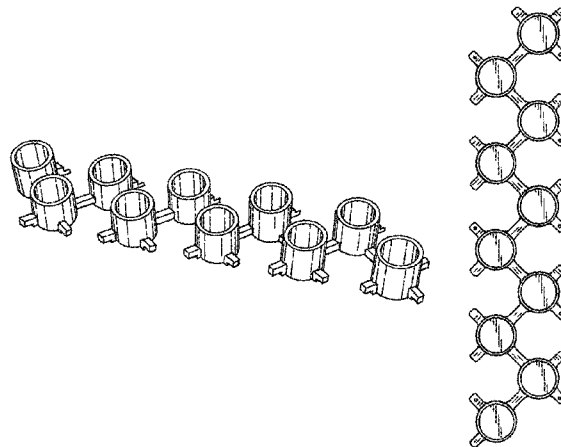
(57) **CLAIM**

I claim the ornamental design for an ink cup array, substantially as shown and described.

DESCRIPTION

FIG. 1 is a perspective view of an ink cup array in accordance with the present design.
 FIG. 2 is a frontal view of the ink cup array in accordance with the present design.
 FIG. 3 is a back view of the ink cup array in accordance with the present design.
 FIG. 4 is a top view of the ink cup array in accordance with the present design.
 FIG. 5 is a bottom view of the ink cup array in accordance with the present design.
 FIG. 6 is a left-side view of the ink cup array in accordance with the present design; and,
 FIG. 7 is a right-side view of the ink cup array in accordance with the present design.

1 Claim, 4 Drawing Sheets



(56)

References Cited

U.S. PATENT DOCUMENTS

D697,380 S *	1/2014	Lesbirel	D7/707	2013/0193030 A1 *	8/2013	Kroupa	B65D 21/0204
8,985,366 B2 *	3/2015	Barth	B65D 21/0204				206/534
			206/504	2014/0090992 A1	4/2014	Kim et al.	
				2015/0060308 A1 *	3/2015	Abbott	B44D 3/02
							206/1.8

* cited by examiner

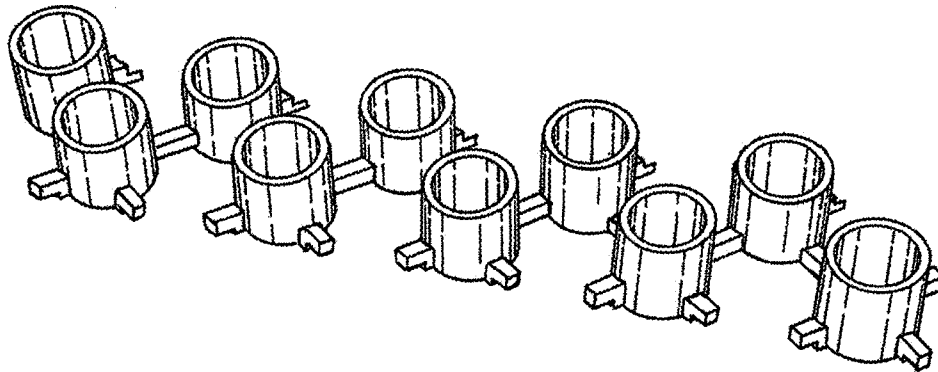


FIG.1

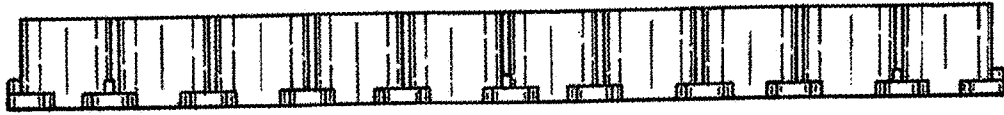


FIG. 2

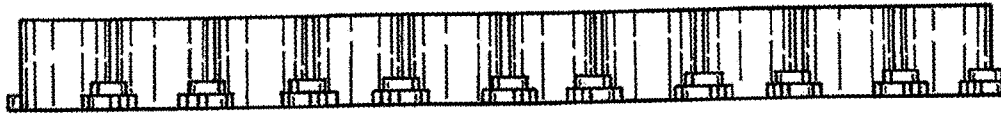


FIG. 3

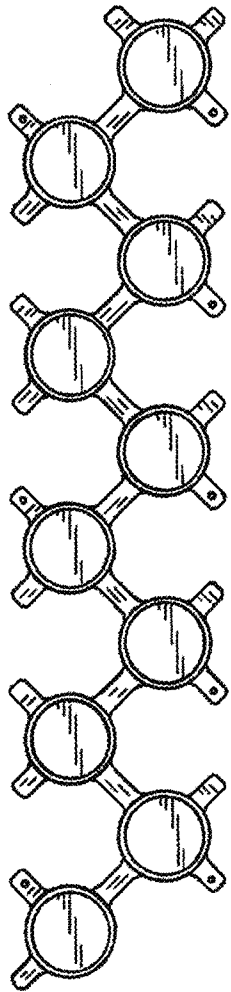


FIG. 4

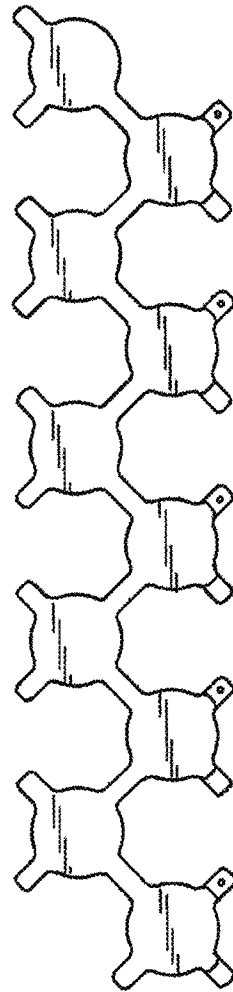


FIG. 5



FIG. 6



FIG. 7