



US00D708260S

(12) **United States Design Patent**
Mills

(10) **Patent No.:** **US D708,260 S**

(45) **Date of Patent:** **** Jul. 1, 2014**

- (54) **HIGHLIGHTER PEN**
- (71) Applicant: **Professional Gallery, Inc.**, St. Cloud, MN (US)
- (72) Inventor: **Lee M. Mills**, Owosso, MI (US)
- (73) Assignee: **Professional Gallery, Inc.**, St. Cloud, MN (US)
- (**) Term: **14 Years**
- (21) Appl. No.: **29/443,783**
- (22) Filed: **Jan. 22, 2013**
- (51) **LOC (10) Cl.** **19-06**
- (52) **U.S. Cl.**
USPC **D19/149**
- (58) **Field of Classification Search**
USPC D14/411; D19/115-186, 192-204;
24/11 F, 11 P, 11 R; 401/52, 99-104,
401/192, 195, 196, 198; D24/112, 113, 114
See application file for complete search history.

D566,762 S	4/2008	Qiu	
D568,933 S	5/2008	Qiu et al.	
D569,428 S	5/2008	Qiu	
D572,754 S	7/2008	Li	
D573,639 S	7/2008	Qiu et al.	
7,418,880 B1 *	9/2008	Smith	73/864.01
D581,461 S	11/2008	Li	
D590,877 S	4/2009	Ma	
D595,350 S *	6/2009	Paz et al.	D19/43
D595,351 S	6/2009	Yu et al.	
D597,598 S	8/2009	Ma	
D605,696 S	12/2009	Ma	
D605,697 S	12/2009	Liu	
D610,195 S	2/2010	Liu	
D610,253 S *	2/2010	Kawamura	D24/114

(Continued)

Primary Examiner — Elizabeth Albert
(74) *Attorney, Agent, or Firm* — DeFault Law Firm, P.C.;
Dustin R. DuFault

(57) **CLAIM**
I claim the ornamental design for a highlighter pen, substantially as shown and described.

DESCRIPTION

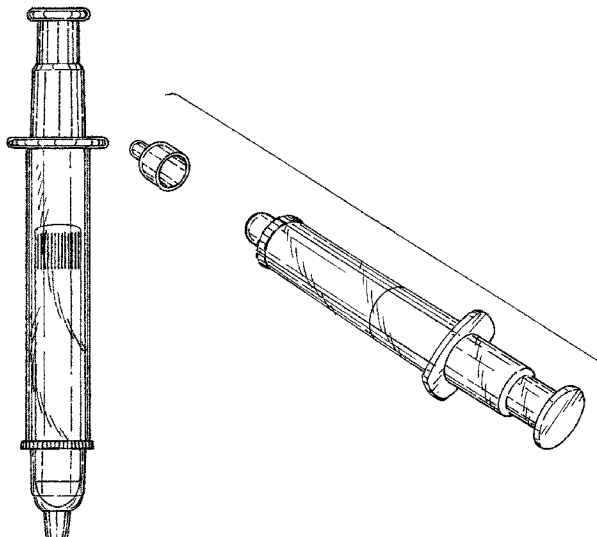
FIG. 1 is a frontal view of a highlighter pen in accordance with the present design.
FIG. 2 is a back view of the highlighter pen in accordance with the present design.
FIG. 3 is a left-side view of the highlighter pen in accordance with the present design.
FIG. 4 is a right-side view of the highlighter pen in accordance with the present design.
FIG. 5 is a top view of highlighter pen in accordance with the present design.
FIG. 6 is a bottom view of the highlighter pen in accordance with the present design; and,
FIG. 7 is a perspective view of the highlighter pen in accordance with the present design with a cap removed.

1 Claim, 4 Drawing Sheets

(56) **References Cited**

U.S. PATENT DOCUMENTS

D10,872 S *	10/1878	Gessner	D19/42
2,541,621 A *	2/1951	Thompson	604/92
D258,454 S *	3/1981	Echevarria et al.	D19/42
4,955,870 A *	9/1990	Ridderheim et al.	604/195
5,047,017 A *	9/1991	Koska	604/110
5,935,104 A *	8/1999	Janek et al.	604/110
6,086,568 A *	7/2000	Caizza	604/218
D445,176 S *	7/2001	Landers	D24/114
D445,495 S *	7/2001	Schaefer et al.	D24/108
6,413,237 B1 *	7/2002	Caizza et al.	604/110
D471,587 S	3/2003	Hautzinger	
D498,258 S	11/2004	Song	
D540,382 S	4/2007	Qiu	
D541,339 S	4/2007	Qiu	
D541,340 S	4/2007	Qiu	
D557,337 S *	12/2007	Isaacs et al.	D19/42



(56)

References Cited

U.S. PATENT DOCUMENTS

D616,024 S 5/2010 Siegel
D616,496 S 5/2010 Liu
D616,937 S 6/2010 Liu

D624,963 S 10/2010 Liu
7,988,663 B2 * 8/2011 Schiller et al. 604/110
D659,758 S 5/2012 Kim
D690,417 S * 9/2013 Solomon D24/114

* cited by examiner

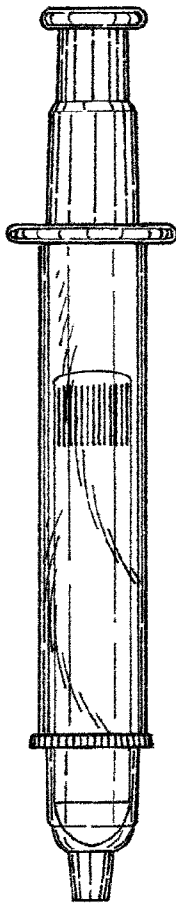


FIG. 1

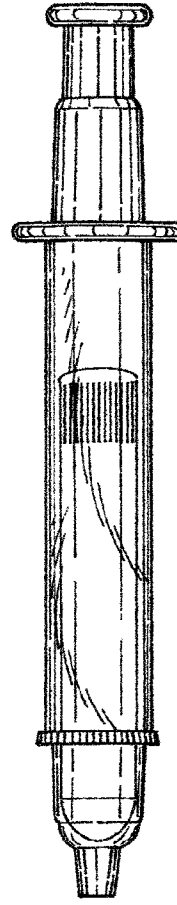


FIG. 2



FIG.3



FIG.4

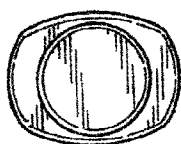


FIG. 5

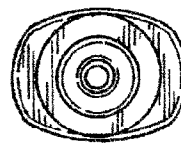


FIG. 6

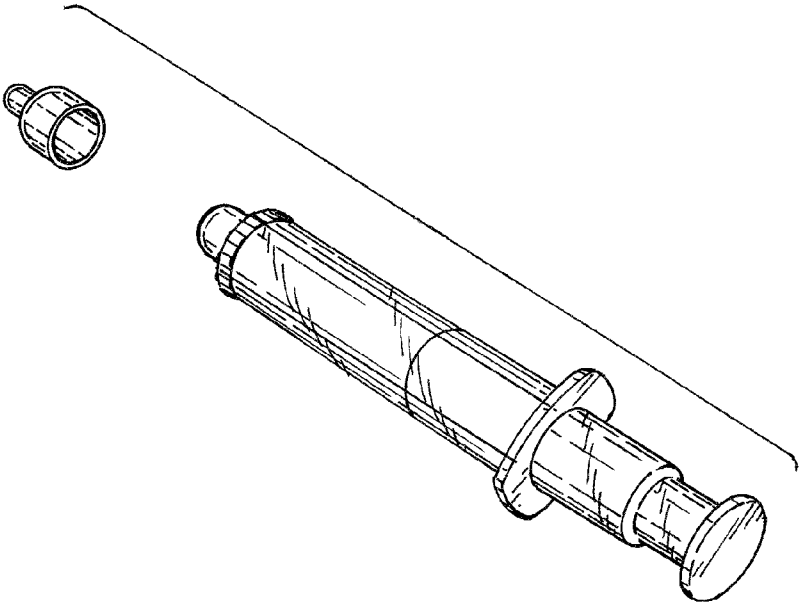


FIG.7