



US008021149B2

(12) **United States Patent**
Gutman et al.

(10) **Patent No.:** **US 8,021,149 B2**
(45) **Date of Patent:** **Sep. 20, 2011**

(54) **APPARATUS AND METHOD FOR REPLICATING MANDIBULAR MOVEMENT**

(75) Inventors: **Yevsey Gutman**, Minneapolis, MN (US); **John Joseph Keller**, Anoka, MN (US)

(73) Assignee: **Gnath Tech Dental Systems, LLC**, Anoka, MN (US)

(*) Notice: Subject to any disclaimer, the term of this patent is extended or adjusted under 35 U.S.C. 154(b) by 410 days.

(21) Appl. No.: **12/105,249**

(22) Filed: **Apr. 17, 2008**

(65) **Prior Publication Data**

US 2008/0261169 A1 Oct. 23, 2008

Related U.S. Application Data

(60) Provisional application No. 60/912,299, filed on Apr. 17, 2007.

(51) **Int. Cl.**
A61C 19/04 (2006.01)

(52) **U.S. Cl.** **433/69; 433/54; 433/57; 433/68; 433/229**

(58) **Field of Classification Search** **433/52-69; 434/264; 33/511-514**
See application file for complete search history.

(56) **References Cited**

U.S. PATENT DOCUMENTS

1,848,267 A	3/1932	Perkins
1,989,367 A	1/1935	Keeney
2,043,394 A	6/1936	Keith
2,235,524 A	3/1941	Lentz
2,258,473 A	10/1941	Scott
2,608,761 A	9/1952	Scott

2,621,407 A	12/1952	Schlesinger
2,701,915 A	2/1955	Page
2,713,721 A	7/1955	Page
2,797,483 A	7/1957	Lisowski
2,959,857 A	11/1960	Stoll
3,160,955 A	12/1964	Pietro
3,409,986 A	11/1968	Freeman
3,423,834 A	1/1969	Irish
4,014,097 A	3/1977	Pameijer
4,047,302 A	9/1977	Cheythey
4,204,326 A	5/1980	Dimeff
4,265,620 A	5/1981	Moro et al.
4,279,595 A	7/1981	Della Croce
4,292,026 A	9/1981	Yokota
4,330,276 A *	5/1982	Becker et al. 433/69
4,354,836 A *	10/1982	Santoni 433/43
4,391,589 A	7/1983	Monfredo et al.
4,417,873 A	11/1983	Kulas

(Continued)

FOREIGN PATENT DOCUMENTS

EP 1 004 281 A2 5/2000

(Continued)

Primary Examiner — Cris L Rodriguez

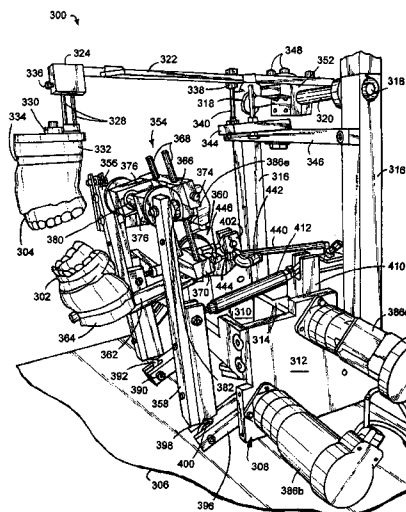
Assistant Examiner — Edward Moran

(74) *Attorney, Agent, or Firm* — DuFault Law Firm, P.C.;
Dustin R. DuFault

(57) **ABSTRACT**

An apparatus to replicate and analyze movement of a mandible relative to a maxilla with dental casts thereof includes a base frame, an arm connected to the base frame and a suspension assembly positionable by a plurality of electro-mechanical actuators. The arm connects to the base frame and supports the dental cast of the maxilla in a fixed position relative to the base frame. The suspension assembly, having opposing first and second sides, supports the dental cast of the mandible in working relation to the dental cast of the maxilla. The plurality of actuators each selectively impart movement to the sides of the suspension assembly such that the movement of the mandible obtained during a recording process can be replicated on the apparatus in real time.

14 Claims, 5 Drawing Sheets



US 8,021,149 B2

Page 2

U.S. PATENT DOCUMENTS

4,447,207 A 5/1984 Kataoka et al.
4,468,198 A 8/1984 Kataoka et al.
4,501,556 A 2/1985 Zelnigher
4,504,226 A 3/1985 Gordon
4,624,639 A 11/1986 Wong
4,668,189 A 5/1987 Levandoski
4,773,854 A 9/1988 Weber
5,006,065 A * 4/1991 Waysenson 433/63
5,160,262 A 11/1992 Alpern et al.
5,334,017 A 8/1994 Lang et al.
5,340,309 A 8/1994 Robertson
5,605,456 A 2/1997 Young
5,632,619 A 5/1997 Polz

5,743,732 A 4/1998 Watson
5,807,102 A 9/1998 Lang et al.
6,015,291 A 1/2000 Cramer et al.
6,024,563 A 2/2000 Shiraishi et al.
6,120,290 A * 9/2000 Fukushima et al. 433/69
6,223,648 B1 5/2001 Erickson
6,511,318 B2 1/2003 Kim
6,616,449 B1 9/2003 Rocher
2006/0072799 A1 4/2006 McLain
2009/0035739 A1 * 2/2009 Alemzadeh 434/264

FOREIGN PATENT DOCUMENTS

JP 02001112743 A 4/2001

* cited by examiner

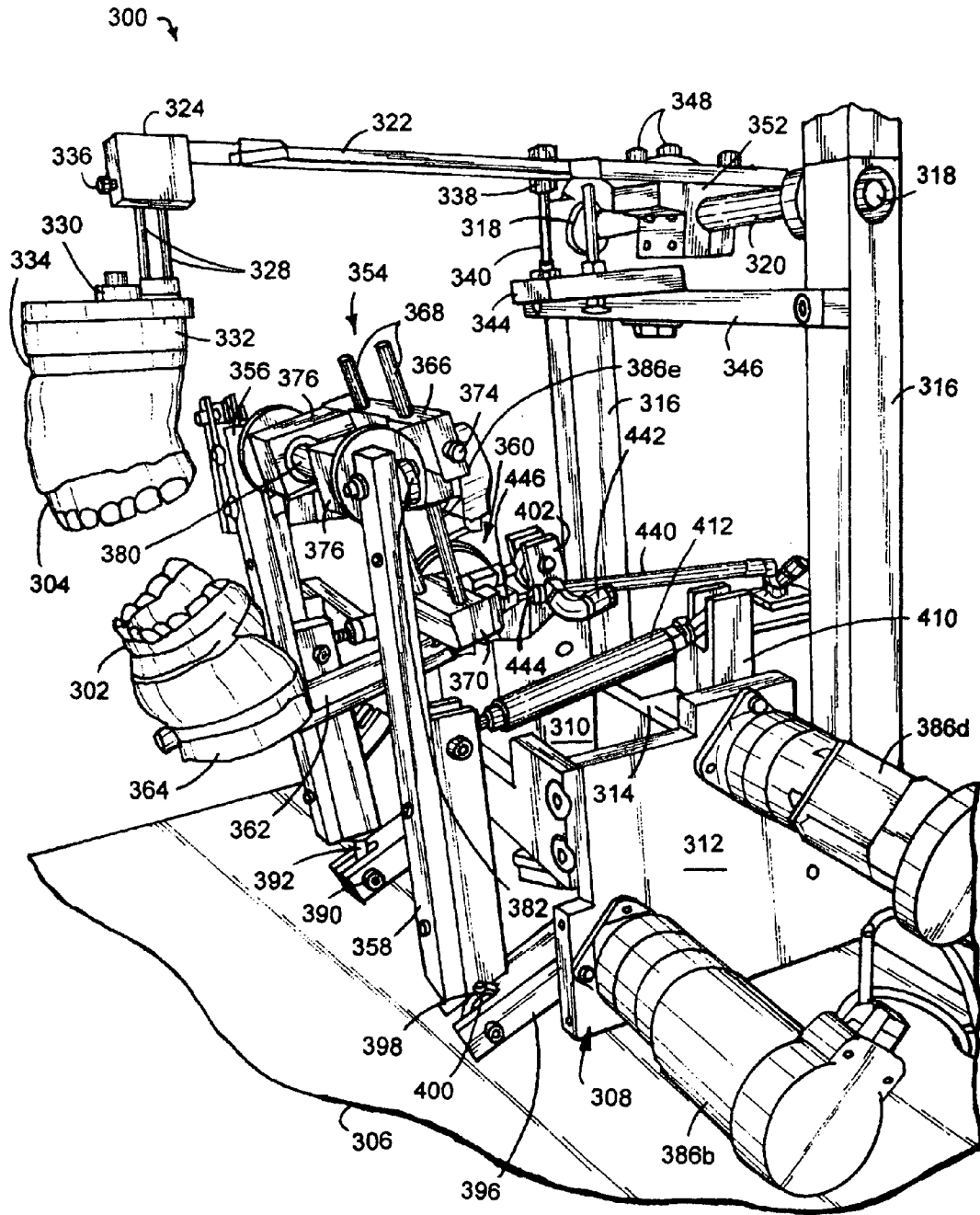
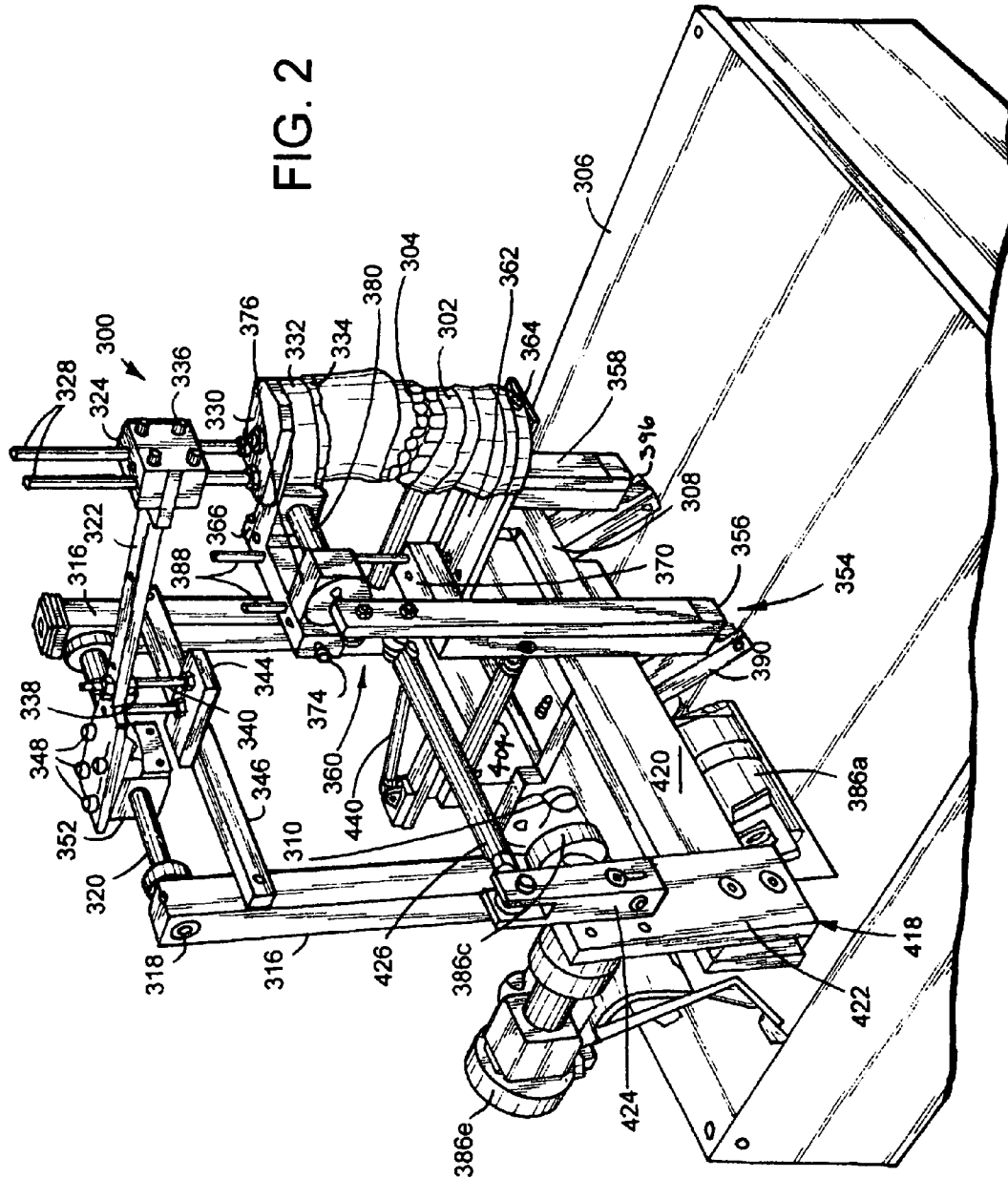


FIG. 1



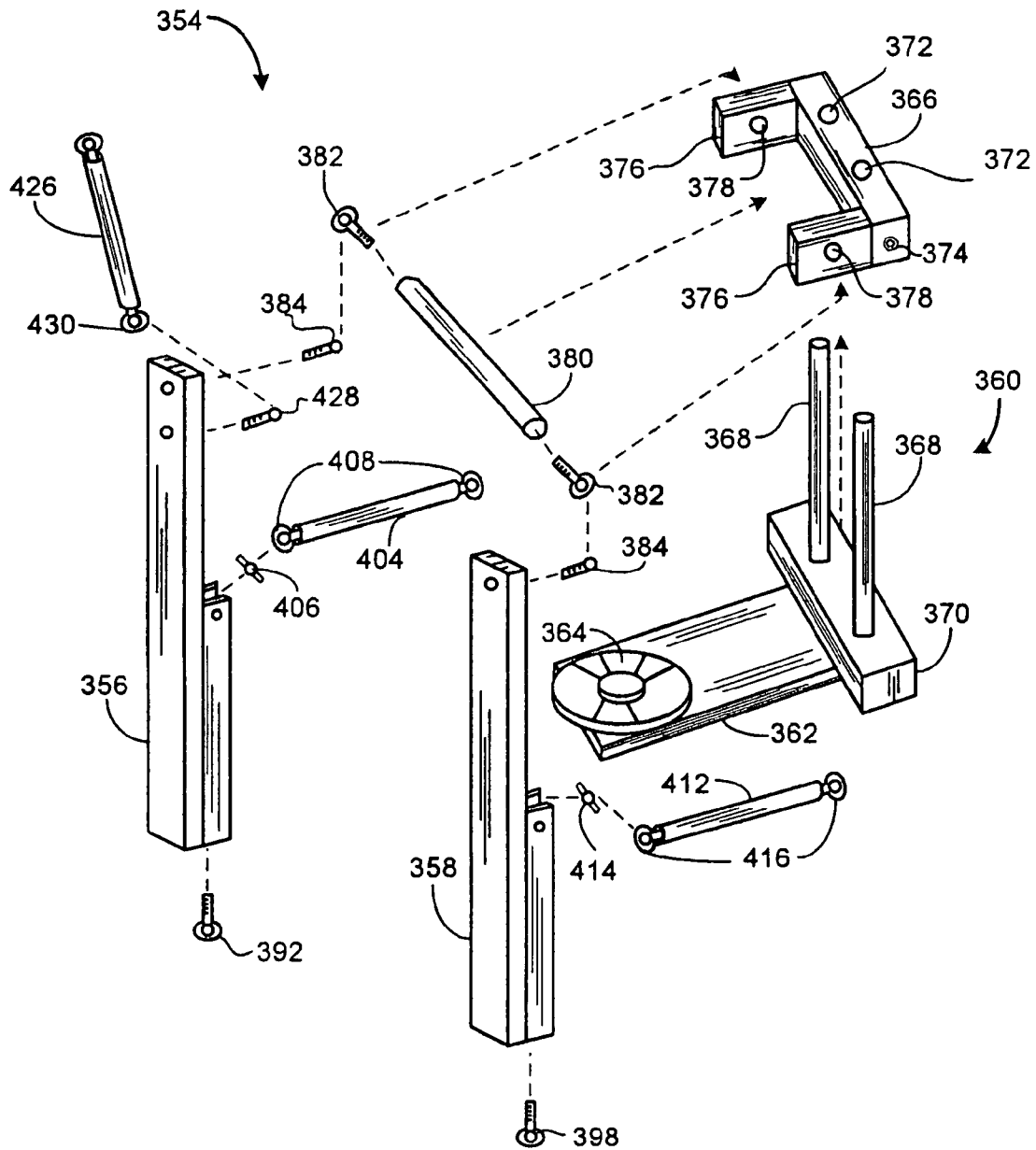


Fig. 3

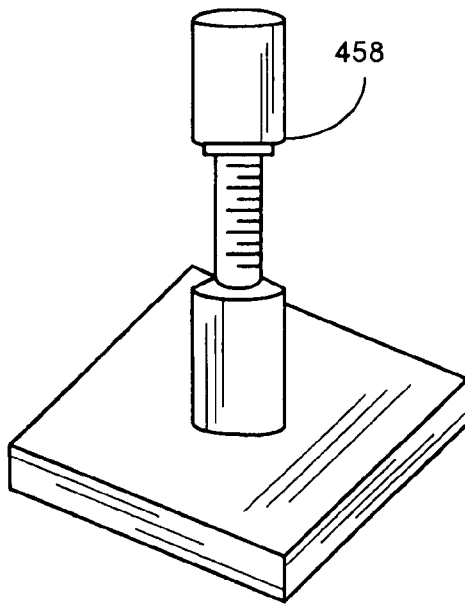


Fig. 6

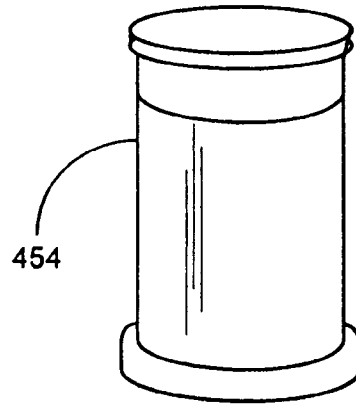


Fig. 4

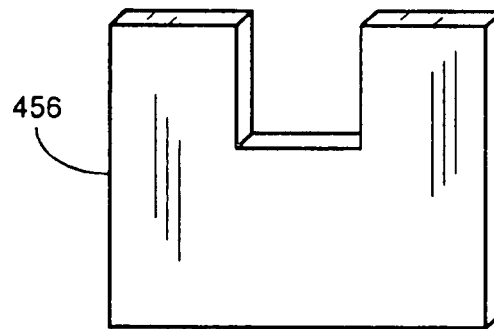


Fig. 5

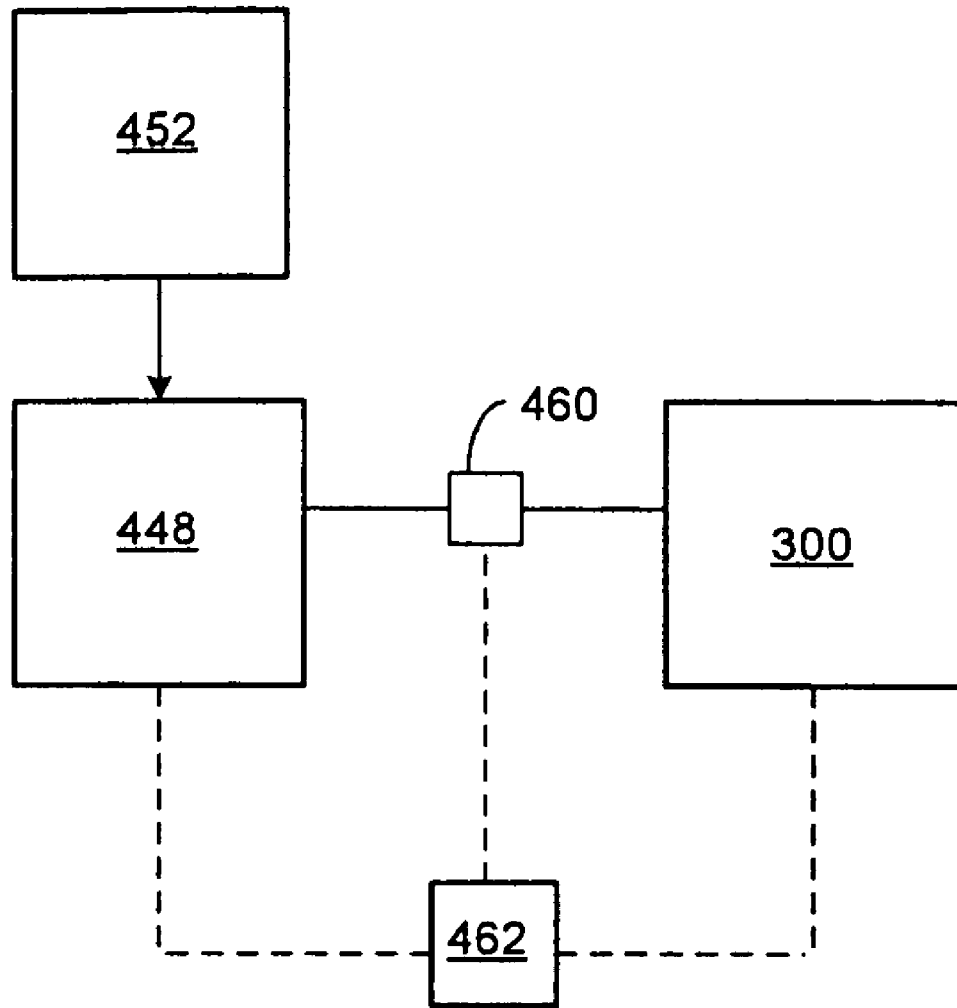


Fig. 7

APPARATUS AND METHOD FOR REPLICATING MANDIBULAR MOVEMENT

CROSS-REFERENCE TO RELATED APPLICATION(S)

This application claims the benefit of U.S. Provisional Patent Application No. 60/912,299 entitled APPARATUS TO REPLICATE LOWER JAW MOVEMENT IN REAL TIME AND METHODS OF USING SAME filed on 17 Apr. 2007, which is hereby incorporated herein by reference.

BACKGROUND OF INVENTION

The present invention generally relates to dental restorative or corrective work. In particular, the present invention relates to an apparatus for replicating mandibular movement for use in dental restorative and corrective work.

In restorative dentistry, it is critical that proper occlusion between the upper and lower jaws of a patient be established to maximize comfort of the patient during mastication. In corrective dentistry, especially that concerning those suffering from temporomandibular joint syndrome, a full and complete understanding of a specific patient's jaw movement is needed in order to properly diagnose and implement a treatment plan for the patient. Improper occlusion may not only lead to the discomfort of the patient while chewing, but may also contribute to other chronic debilitating affects, including improperly aligned condyles. Because such occlusion of the upper and lower jaws is so closely related to condylar movement about the temporomandibular joint, a complete understanding of such movement is essential in making gnathological determinations factors related to the dental restorative or corrective work.

Occlusal motion, though, is quite complex. While a dominant factor of occlusal motion includes pivotal movement of the lower jaw about a hinge axis through the temporomandibular joint ("TMJ"), other factors contributing to the movement include torsional and linear movement of the lower jaw. Such movement can be characterized as having factors relating to pitch, yaw and roll, as well as linear movement transverse to the condylar axis. It has therefore been quite difficult to not only record mandibular movement, but also precisely replicating such movement within precise tolerances.

There exist in the art a wide variety of devices which have attempted to replicate, using dental casts, the occlusal relationship between the upper and lower jaw. In the prior art, incremental changes in the attempts to replicate the occlusal relationship can be observed. Early examples include those suggested by U.S. Pat. No. 1,848,267, 1,989,367 and 2,043,394. These devices, known as dental articulators, had several inherent shortcomings, primarily the ease of use and overall accuracy. None of these examples permitted pivotal movement of one cast relative to the other. Eventually, semi-adjustable and adjustable articulators appeared, including those as suggested by U.S. Pat. No. 3,218,716; 3,431,649; and 4,034,475. These examples, however, had inherent shortcomings in that only simple pivotal motion of either jaw relative to the other could be observed. A precise means of replicating mandibular movement was still needed in the area of dentistry, especially to replicate mandibular movement in real time.

The prior art also includes examples of devices which attempted to mimic mandibular movement. These examples, however, have been found to be unreliable in producing suc-

cessful results, so there still remains a need to precisely and accurately replicate mandibular movement.

BRIEF SUMMARY OF INVENTION

The present invention includes an apparatus to replicate in real time mandibular movement using dental casts of an upper jaw portion and a lower jaw portion obtained from a patient. The apparatus includes a base frame for supporting an arm to hold the dental cast of the upper jaw, a positionable suspension assembly supporting a platform to hold the dental cast of the lower jaw, and a plurality of actuators for imparting movement to the suspension assembly. The suspension assembly includes first and second opposing struts which connect to the platform in such a manner so as to represent a hinge axis along a temporomandibular joint of the patient. Each actuator connects to the struts through a series of linkages. A computer, using data obtained during a process of recording mandibular movement of the patient, selectively activates each actuator to synchronously impart movement to each strut. First and second actuators impart elevation to a lower portion of each strut. Third and fourth actuators impart translational movement to a middle portion of each strut. A fifth actuator imparts lateral movement to an upper portion of one of the struts. Each of the aforementioned actuators represent five active degrees of freedom in displacement mode. A sixth passive degree of freedom is imparted by a sixth actuator which applies force to a rearward portion of the platform. The passive degree of freedom represents an approach motion between the upper and lower jaw about the temporomandibular joint. The dental cast of the lower jaw is thereby positionable within six degrees of freedom in a reference or coordinate system.

BRIEF DESCRIPTION OF THE DRAWINGS

FIG. 1 is a right-hand perspective view of a replicating apparatus of the present invention.

FIG. 2 is a left-hand perspective view of the replication apparatus of the present invention.

FIG. 3 is an exploded perspective view of a suspension assembly of the present invention.

FIG. 4 is a perspective view of a calibrating bar as used in accordance with the present invention.

FIG. 5 is a perspective view of a calibrating frame as used in accordance with the present invention.

FIG. 6 is a perspective view of an adjusting device as used in accordance with the present invention.

FIG. 7 is a diagram of the present invention showing a general arrangement of components.

DETAILED DESCRIPTION

An apparatus to replicate mandibular movement in real time is generally indicated at **300** in FIGS. 1 and 2. Generally, the apparatus includes a computer controlled mechanical system driven by information derived from a recording device to create, amongst other things, exact duplication of movement between a dental cast of the lower jaw **302** relative to a dental cast of the upper jaw **304** in real time.

As illustrated in the accompanying Figures, the replicator apparatus **300** is either supported by or mountable to a work surface **306**. The replicator **300** includes a base frame **308** having opposing first and second side walls, **310** and **312** respectively, joined together by a rear wall **314**. The sidewalls **310**, **312** provide the main support for the apparatus **300** and are engageable with the work surface **306**.

To support the dental cast of the upper jaw **304**, the apparatus **300** includes vertically extending post members **316** attached to opposing ends of the rear wall **314**. Terminal upper ends of the post members **316** each contain bearings **318** mounted therein for supporting a pivotal shaft **320**. The shaft **320** supports a proximal end of a swing arm **322** which is positionable between a working and non-working position (not shown). Attached to a terminal end of the swing arm **322** is a mounting block **324** having a pair of through-bores for receiving rods **328** attached to a mounting bracket **330**. The mounting bracket **330** includes a magnetic base **332** for accepting a corresponding mateable base **334** to which is attached the dental cast of the upper jaw **304**. The position of the mounting bracket **330** relative to the mounting block **324** is adjustable by sliding the rods **328** through the mounting block **324**. Set screws **336** permit frictional engagement of the rods **328** with the mounting block **324** when the desired position of the mounting bracket **330**, or the dental cast **304**, is achieved. Further, the angle at which the swing arm **322** rests relative to the work surface **306** can be adjusted by positioning a threaded burr **338** on a threaded bolt **340** which extends through an aperture in the swing arm **322**. The threaded bolt **340** and swing arm **322** attach to a platform **344** supported by a cross beam **346** having terminal ends attached to each post **316**. The swing arm **322** rests upon the threaded burr **338**, and by rotating the burr **338**, the swing arm **322** can be raised or lowered to the desired position. The swing arm **322** is also positionable transverse to the shaft **320**. Bolts **348** dispose through slotted apertures contained within the swing arm **322** and threadably engage a second mounting block **352** fixedly attached to the shaft **320**.

To support the dental cast of the lower jaw **302**, and to provide three-dimensional positioning of the dental cast of the lower jaw **302** relative to the stationary dental cast of the upper jaw **304**, a suspension system is provided **354**. As illustrated in FIG. 3, the suspension system **354** generally includes first and second spaced apart struts, **356** and **358** respectively, to which is mounted a support assembly **360**. The support assembly **360** includes a platform **362** for supporting a magnetic base **364** attached to the dental cast of the lower jaw **302**. The platform **362** is suspended from a yoke **366** by rods **368** extending from a connecting block **370** to which is attached the platform **362**. Each rod **368** slidably disposes within a corresponding aperture **372** contained within the yoke **366**. The position of the platform **362** relative to the yoke **366** is adjustable by allowing each rod **368** to slide within the respective aperture until the desired position of the platform is achieved, at which time set screws **374** frictionally engage the rods **368** to the yoke **366**. To attach the support assembly **360** to the struts **356**, **358**, first and second blocks **376** extend from the yoke **366**, each containing an aperture **378** for receiving a shaft **380**. Threadably engaged to each end of the shaft **380** are rod end bearings **382** for receiving a ball joint **384** attached to an upper portion of each strut **356**, **358**. The ball joints **384** therefore permit fluid positioning of the support assembly **360** through the displacement of each strut **356**, **358**.

The suspension assembly **354** is positionable within six degrees of freedom in a reference or coordinate system by means of articulators and linkages connected to the frame **308** and the suspension assembly **354**. The six degrees of freedom are broken down into two groups, including five active degrees of freedom and one passive degree of freedom. Providing the five active degrees of freedom are angular actuators **386**. Referring again to FIGS. 1 and 2, each angular actuator **386** is preferably a servomotor. Servomotor **386a** attaches to the first sidewall **310** and connects to a lower portion of the

first strut **356** by means of a linkage **390**. Such attachment of the linkage **390** to the strut **356** is accomplished by means of a rod end bearing **392** and mateable ball joint **394**. The rod end bearing **392** attaches to the strut **356** and the ball joint **394** attaches to the linkage **390**. However, it is well within the scope of the present invention to attach the rod end bearing **392** to the linkage **390** and the ball joint **384** to the strut **356**. When selectively activated, the servomotor **386a** pivots the linkage **390** in either a clockwise or counter-clockwise relation, which in turn imparts a vertical movement to the lower portion of the first strut **356** at the point of attachment, either upwardly or downwardly. A corresponding servomotor **386b** attached to the second side wall **312** provides similar vertical movement to a lower portion of the second strut **358** when activated. As such, servomotor **386b** connects to the second strut **358** by means of linkage **396**, rod end bearing **398** and ball joint **400**, in much the same manner that servomotor **386a** connects to the first strut **356**.

Also attached to the first side wall **310** is servomotor **386c**. Servomotor **386c** connects to the first strut **356** proximately midway along the length of the strut. The servomotor connects to the strut **356** by means of a linkage **402** and connecting arm **404**. Both the linkage **402** and the strut **356** each include a ball joint **406** for journaling with corresponding rod end bearings **408** attached to terminal ends of the connecting arm **404**. When activated, the servomotor **386c** pivots the linkage **402** in either a clockwise or counterclockwise relation, which in turn imparts a translational movement, either rearward or forward, to the first strut **356**. A corresponding servomotor **386d** attached to the second side wall **312** provides similar translational movement to a middle portion of the second strut **358** when activated. As such, the servomotor **386d** connects to the second strut **358** by means of linkage **410**, connecting arm **412** with rod end bearings **416** and ball joints **414**, in much the same manner that servomotor **386c** connects to the first strut **356**.

To laterally position the suspension system **354**, servomotor **386e** is provided. Servomotor **386e** connects to the frame **308** by an "L"-shaped bracket **418** having a first leg **420** attached to the frame **308** and a second leg **422** for attaching the servomotor **386e** thereto. Servomotor **386e** is positioned substantially orthogonal to the other servomotors **386a** through **386d** and connects to an upper portion of the first strut **356** by means of a linkage **424** and connecting arm **426**. Both the linkage **424** and the strut **356** each include a ball joint **428** for journaling with corresponding rod end bearings **430** attached to terminal ends of the connecting arm **426**. When activated, the servomotor **386e** pivots the linkage **424** in either a clockwise or counterclockwise relation, which in turn imparts a lateral movement, either left or right, to the upper portion of the first strut **356**.

Providing the sixth passive degree of freedom is a linear actuator **440** mounted to the rear wall **314** of the frame **308** and connected to the connecting block **370** attached to the platform **362**. The linear actuator **440** provides a constant force to the support assembly **360**, and therefore preferably includes a pneumatic cylinder. However, the amount of force can be controlled to increase or decrease the amount of pressure to simulate chewing conditions. A port **442** allows introduction of air into the cylinder **440**, which in turn forces a piston against the connecting block **370** of the support assembly **360**. To provide for constant force throughout all movements of the support assembly **360**, a distal end of the cylinder **440** includes a ball joint **444** which mateably engages a corresponding housing **446** attached to the connecting block **370**.

As described, the servomotors, **368a** through **368e**, connect to the suspension assembly **354** and deliver five active

degrees of freedom along a hinge line of an imaginary temporomandibular joint. This imaginary line extends through the center of each ball joint **384** connecting the platform assembly **360** to each strut **356**, **358**. The ball joints **384** represent a pivot axis for the hinge, or an axis around which the platform assembly, and subsequently the dental cast of the lower jaw **302**, pivots. The angle of rotation about this hinge is the sixth degree of freedom, and is referred to herein as the passive degree of freedom. The passive degree of freedom represents an approach motion between both jaws about the temporomandibular joint hinge. The passive degree of freedom is controlled in force mode, as compared to the other five active degrees of freedom which are controlled in displacement mode by the servomotors. The difference between force mode and displacement mode is that the active degrees of freedom effectively deliver the temporomandibular joint hinge into the desired position and orientation, while the passive degree of freedom in force mode maintains constant, or any desired force, on the platform **362** to achieve proper contact between upper and lower teeth of the respective dental casts **302**, **304**. Thus, the passive degree of freedom is controlled by the pneumatic cylinder **440** to provide a selected force to simulate the forces of working, or rather chewing, teeth. Preferably, the amount of pressure maintained on the pneumatic cylinder ranges from about 1 psig to 3 psig. However depending upon the effective piston area, or the application process, the force can be as high as 20 psig.

To provide a realistic motion of the lower jaw dental cast **302** relative to upper jaw dental cast **304**, a synchronized motion of all the active degrees of freedom must be simultaneously controlled in real time. Any time delay creates an error in trajectory as well as wrong positioning of the lower jaw dental cast **302** versus the upper jaw dental cast **304**. Positioning of the suspension system **354** is controlled by the servomotors **386a** through **386e**, which each include optical encoders (not shown) as a source of the feedback information. This network of motors and linkages represents a system having multiple degrees of freedom with high cross-coupling effects between input parameters, such as command signals, to the servomotors **386**, or motor shaft positions of the servomotors, to provide true positioning of the lower jaw dental cast **302** versus the upper jaw dental cast **304**. This is achieved through a closed loop control of the lower jaw in real time using both Direct and Inverse Kinematic Transformations, which are performed by a computer **448** running a software application and based upon positional data received during the recording process. It should be noted that use of the apparatus **300** of the present invention is not meant to be limited to any particular recording process, especially any process which is capable of recording or obtaining mandibular movement in an electronically stored format. However, the preferred mode of recording is that as described in concurrently filed U.S. application Ser. No. 12/105,246 entitled APPARATUS AND METHOD FOR RECORDING MANDIBULAR MOVEMENT, the entirety of which is incorporated herein by reference.

As part of the set-up prior to using the apparatus **300**, it is necessary that an initial reference position be set to establish the proper relationship between the dental casts, **302**, **304** when mounted on their respective bases **364**, **332**. In order to do so, several calibration devices are used. The calibration devices ensure the user that the integrity of information transferred from the recorder **452** to the replicator **300** is not lost and both jaws will be placed into replicator with the proper relative alignment.

To properly adjust the swing arm **322** and platform assembly **360** to receive the dental casts **302**, **304**, two parameters

are obtained during the recording process, namely the vertical and horizontal positioning of the platform relative to the center points of the ball joints or hinge axis. The vertical positioning includes the distance as measured between two imaginary planes substantially horizontal to the work surface, one passing through the condylar ball joints **384** and the other consisting of a plane through the platform **362**. The horizontal positioning includes the distance between two imaginary planes substantially orthogonal to the work surface, one passing through the condylar ball joints **384** and the other passing through the center of each magnetic base member **332**, **364** respectively attached to the swing arm **322** and platform **362**. The position of both the platform **362** and the swing arm **322** are then adjusted adjustable as described herein. Upon making the proper adjustments, the dental casts are attached to their respective bases and are brought together to define to the home occlusal position. A calibration bar **454**, as illustrated in FIG. 4, used during the setting up of the dental casts **302**, **304** is then used to establish the proper distance between each upper base **332** and the lower base **364**.

The articulator **300** is then calibrated with the computer **448** to determine the initial reference or home position. With reference to FIGS. 5 through 6, this is accomplished by using a calibration frame **456** and adjustable support device **458**. The calibration frame **456** rests upon the work surface **306** and supports the suspension assembly **354** at a fixed position. The adjustable support device is then positioned between the work surface **306** and the platform **362** to provide support to the platform **362**. When the calibration frame **456** and adjustable device **458** are in place, the computer **448** zeros out all optical encoders used for feedback to control servo loops. Thus, by use of the calibrating frame **456** and adjustable support device **458**, the reference or zero position can be calibrated which can be verified and compared with other fixtures. This initial reference position is critical because closed loop control is used around each individual servo motor **386**, meaning that the apparatus **300** is controllable in Joint Domain and not TMJ Domain, as is fully described in concurrently filed application previously referenced herein. Joint Domain represents all mechanical joints used by the recording device as a part of the multiple degrees of freedom linkage, while TMJ Domain is associated with coordinates of each center of the condyles and the rotational angle about the axis through each condyle. That type of control requires a transfer function between the Joint Domain and the TMJ Domains, which is performed by a software program within the computer **448** to be performed in real time or in preprocessed mode.

The servomotors **386** are controlled by an interface module which is controlled by the computer **448** by a motion interface board. The interface board is preferably includes Model No. DMC-1800 as made commercially available by Galil Motion Control of Rocklin, Calif. As illustrated in FIG. 7, a separate power source **462** runs all of the servomotors **386**. Running the software application, the computer **448** selectively and synchronously activates each servomotor **386a** through **386e** to position the suspension assembly **354** to move the lower dental cast **302** relative to the upper dental cast **304** to accurately replicate the actual movement obtained during the recording process. The upper jaw dental cast **304**, attached to the swing arm **322**, remains stationary with respect to the replicator **300** and does not move during the replicator process. However, the arm **322** can be preset for any given settings and still perform during replication wherein the computer **448** recalculates command signals to control the servomotors **386a** through **386e** to follow the desired trajectory from the pre-recorded settings into any the actual settings

used during the replication. The swing arm **322** can be pivoted away from the platform assembly **360**, whereby the similar dental casts **302, 304** can be removed or replaced if testing on dental casts from the same patient is desired. Because all of the settings are preserved, recalibration of the apparatus **300** is not required. Also, the swing arm **322** is designed to pivot out of place if the force supplied to the lower dental cast **302** is too great, thereby minimizing damage to the dental casts **302, 304**, the swing arm **322** or the suspension assembly **354** is such an event should occur.

Although the present invention has been described with reference to preferred embodiments, workers skilled in the art will recognize that changes may be made in form and detail without departing from the spirit and scope of the invention.

The invention claimed is:

1. An apparatus to replicate and analyze movement of a mandible relative to a maxilla with dental casts thereof, the apparatus comprising:

- a base frame;
- an arm connected to the base frame for supporting the dental cast of the maxilla in a fixed position relative to the base frame;
- a suspension assembly to support the dental cast of the mandible in working relation to the dental cast of the maxilla, the suspension assembly including opposing first and second sides, a platform for supporting the dental cast of the mandible, and a yoke member supporting the platform, the yoke member having a first side corresponding with the first side of the suspension assembly and a second side corresponding with the second side of the suspension assembly;
- a first positionable strut attached to the first side of the yoke member;
- a second positionable strut attached to the second side of the yoke member, the platform positionably disposed between the first and second struts, wherein the attachment of the yoke member to the struts defines a pivoting axis of the suspension assembly, the pivoting axis positioned above the platform;
- a first actuator to impart lateral movement upon the suspension assembly;
- a second actuator to impart forward or rearward movement to the first side of the suspension assembly;
- a third actuator to impart forward or rearward movement to the second side of the suspension assembly;
- a fourth actuator to elevate or lower the first side of the suspension assembly; and
- a fifth actuator to elevate or lower the second side of the suspension assembly, whereby activating each actuator to impart said respective movement, the suspension assembly is positionable to replicate movement of the mandible relative to the maxilla;

wherein the first actuator connects to either the first strut or the second strut, wherein the second and fourth actuators connect to the first strut, wherein the third and fifth actuators connect to the second strut, whereupon activating each actuator the struts are manipulated to position the platform to replicate three-dimensional movement of the mandible relative to the maxilla.

2. The apparatus of claim **1** and further comprising a piston attached to the base frame and the suspension assembly to impart a substantially constant force onto the suspension assembly.

3. An apparatus to replicate movement of a lower jaw of a patient relative to the upper jaw, the apparatus comprising:

- a base frame;
- an arm connected to the base frame for supporting a dental cast of the upper jaw in a fixed position relative to the base frame;
- a positionable platform for supporting a dental cast of the lower jaw in working relation to the dental cast of the upper jaw;
- a first moveable strut connected of the platform;
- a second moveable strut connected to the platform opposite the first strut, the platform positionable between the first strut and the second strut;
- a first actuator to impart lateral movement onto either the first strut or the second strut;
- a second actuator to impart forward or rearward movement to the first strut;
- a third actuator to elevate or lower the first strut;
- a fourth actuator to impart forward or rearward movement to the second strut; and
- a fifth actuator to elevate or lower the second strut, whereupon activating each actuator to impart said movement to the respective strut, the first strut and the second strut impart movement to the platform to reproduce movement of the lower jaw with respect to the upper jaw.

4. The apparatus of claim **3** and further comprising a sixth actuator attached to the base frame and connected to a rearward portion of the platform, the sixth actuator providing a substantially constant force onto the rearward portion of the platform.

5. The apparatus of claim **3** wherein the first actuator connects to the base frame and an upper portion of either the first strut or the second strut, wherein the second actuator connects to the base frame and a mid portion of the first strut, wherein the third actuator connects to the base frame and a lower portion of the first strut, wherein the fourth actuator connects to the base frame and a mid portion of the second strut, and wherein the fifth actuator connects to the base frame and a lower portion of the second strut.

6. The apparatus of claim **5** wherein a rod end bearing connects each of the actuators to the respective strut.

7. The apparatus of claim **3** and further comprising a yoke member, the platform suspended from the yoke member between the first strut and the second strut, the yoke member including first and second opposing ends, wherein the first end pivotally attaches to the first strut and the second end pivotally attaches to the second strut.

8. The apparatus of claim **7** wherein the first end of the yoke member pivotally attaches to the upper portion of the first strut, and wherein the second end of the yoke member pivotally attaches to the upper portion of the second strut, wherein the attachment of the yoke member to the struts defines a pivoting axis of the suspension assembly, the pivoting axis positioned above the platform.

9. An apparatus to replicate and analyze movement of a mandible relative to a maxilla with dental casts thereof, the apparatus comprising:

- a base frame;
- an arm pivotally connected to the base frame for supporting the dental cast of the maxilla in a fixed position;
- first and second spaced-apart upright struts;
- a yoke member disposed between each strut having a first side pivotally attached to the first strut and a second side pivotally attached to the second strut, the pivotal attachment of the yoke to each strut defining a pivot axis;

9

a plurality of actuators connected to the base frame to impart movement onto the first and second struts to manipulate the position of the yoke member, the plurality of actuators including:

a first actuator attached to the base frame, the first actuator imparting through a linkage lateral movement to the first strut or the second strut;

a second actuator attached to the base frame, the second actuator linked to the first strut to impart forward or rearward movement to the first strut;

a third actuator attached to the base frame, the third actuator linked to the first strut to elevate or lower the first strut;

a fourth actuator attached to the base frame, the fourth actuator linked to the second strut to impart forward or rearward movement to the second strut;

a fifth actuator attached to the base frame, the fifth actuator linked to the second strut to lower or raise the second strut; and

a platform suspended from the yoke member to support the dental cast of the mandible in working relation to the

10

dental cast of the maxilla, wherein the pivot axis is located above the platform, wherein activating the plurality of actuators the platform is positionable to replicate three-dimensional movement of the dental cast of the mandible relative to the dental cast of the maxilla.

10. The apparatus of claim **9** and further comprising a sixth actuator for providing a controlled moment about the pivot axis during movement of the platform to simulate chewing conditions.

11. The apparatus of claim **10** wherein the sixth actuator comprises an air compressed actuator connected to the platform applying a near constant force between 1 and 20 psig.

12. The apparatus of claim **11** wherein the sixth actuator applies a near constant force of between 1 and 3 psig.

13. The apparatus of claim **3** wherein the platform is disposed between the first and second struts.

14. The apparatus of claim **4** wherein the sixth actuator comprises an air compressed actuator, the air compressed actuator providing a sixth degree of freedom mimicking chewing.

* * * * *